

H300 - Surface Mount Box for IP60XX Phones

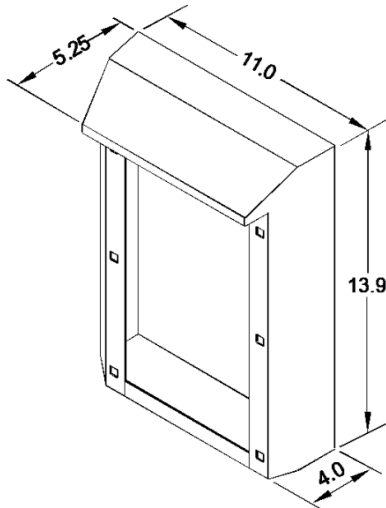
The H300 is a rugged, stainless steel, surface mount box for the Emcom Systems' family of handsfree and handset emergency assistance telephones. For extreme environments, an H305 Door may be added to provide further protection.

Advantages

- Stainless Steel Construction
- Mates with A401 Pole Mtg Frame
- Integrated Drip Cap
- Angled Sides to Improve Signage Visibility
- Accepts H305 Door



Dimensions



Specifications

Dimensions:	13.9" H x 11" W x 5.25" D
Material:	16 Ga. (.062") Stainless Steel
Weight:	7 lbs.
Signature:	"EMERGENCY" (standard)
Finish:	Brushed Stainless Red Powder Coat Yellow Powder Coat (shown)

127 Route 206 South, STE 27
Trenton, NJ 08610

Contact: info@emcomsys.com
+1 (609) 585-5500
www.emcomsys.com

The dynamic nature of this product design dictates that the information contained in this document be subject to change without notice.