

H305 - Door

For Surface Mount Box H300

The H300 is a rugged, stainless steel, surface mount box for the Emcom Systems' family of handsfree and handset emergency assistance telephones. For extreme environments, an H305 Door may be added to provide further protection.

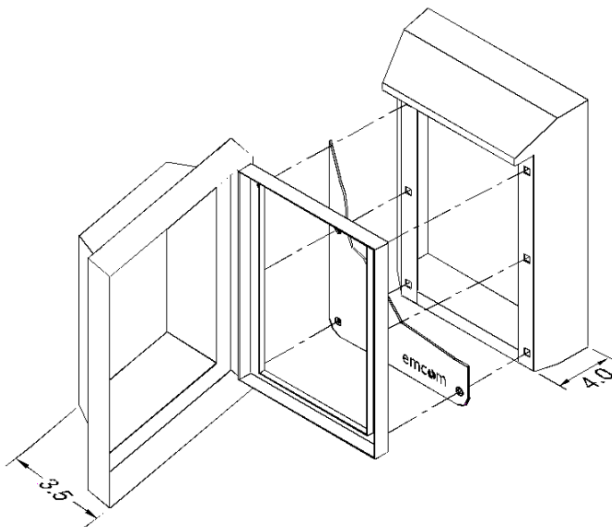
Advantages

- Stainless Steel Construction
- Concealed SS Spring Closure
- Door Latches In Open Position
- Door Can Be Reversed



Shown with H300
for reference

Dimensions



Specifications

Dimensions:	12.3" H x 10" W x 3.5" D
Material:	16 Ga. (.062") Stainless Steel
Weight:	6 lbs. 13 lbs. with H300
Signature:	"EMERGENCY" (standard)
Finish:	Brushed Stainless Red Powder Coat Yellow Powder Coat (shown)

127 Route 206 South, STE 27
Trenton, NJ 08610

Contact: info@emcomsys.com
+1 (609) 585-5500
www.emcomsys.com

The dynamic nature of this product design dictates that the information contained in this document be subject to change without notice.