

IP6030-15 - Rugged, VoIP Handset Phone

With Keypad Display, Headset Jacks, External Paging Speaker/Beacon Drive Capability

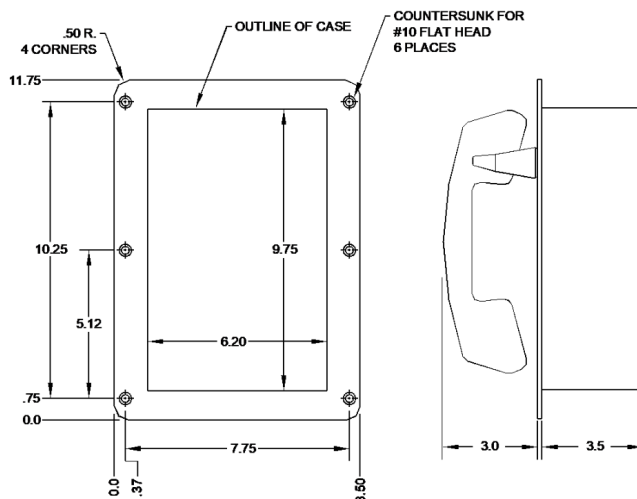
The IP6030-15 is a hardened, vandal-resistant, intelligent handset telephone that provides VoIP (Voice over Internet Protocol) communications utilizing SIP (Session Initiation Protocol). It is designed to withstand the harsh environments of subways, train stations, and tunnels, and is ideal for waysides, bridges, airports, and other public area. The unit provides the capability to drive the external speaker and beacon of the A400. The IP6030-15 is programmed via a web browser or is remotely supervised, tested and programmed using an Emcom Systems' EmVista Maintenance Station.

Advantages

- Sealed Metal Keypad
- Two Row LCD Display
- Headset Jacks For High-Noise Areas
- Noise Canceling Microphone
- Hearing Aid Compatible
- Armored Cable
- Remote Programming and Volume Adjust Via Web Browser or EmVista Maintenance Station
- Auxiliary Contact Closures
- 2 Year Warranty



Dimensions



Specifications

Dimensions:	11.75" H x 8.5" W x 3.5" D
Panel:	12 Ga. (.102") Brushed SS
Weight:	8 lbs.
Connectors:	2 RJ-45, 2 Aux. Contacts 1 Power
Operating Temp:	-30° C to +55° C (-22°F to +121°F)
Power:	7.2 Watts 11.2 Watts When Driving A400
2 Aux. Contacts:	12 to 54 VDC, 48 VDC PoE 120mA - 250VAC Rating, Opto-isolated
Freq. Response:	300Hz - 3400Hz
MTBF:	Greater than 90,000 Hours
Compliance:	UL60950-1 CSA C22.2 No. 60950-1

127 Route 206 South, STE 27
Trenton, NJ 08610

Contact: info@emcomsys.com
+1 (609) 585-5500
www.emcomsys.com

The dynamic nature of this product design dictates that the information contained in this document be subject to change without notice.