

A400 - Speaker/Beacon

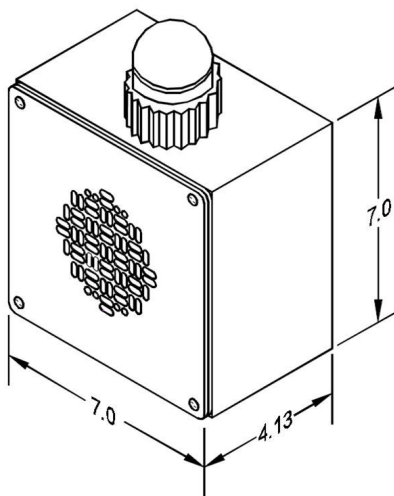
The A400 provides a vandal-resistant, Public Address, speaker capability with location identification via a blue light. It consists of a 15 watt submersible speaker and a long-life, blue LED beacon mounted to a stainless steel housing. The unit may be used standalone but is normally mounted in conjunction with an IP60XX family telephone which provides drive for the speaker and power and control to the blue beacon. The enclosure has four mounting holes for easy mounting to any flat surface or for use with an Emcom A401 Pole Mounting Kit.

Advantages

- All Stainless Steel
- Wide Operating Temperature
- High Output Speaker
- 360° Beacon
- 2 Year Warranty



Dimensions



Specifications

Dimensions:	7.0" H x 7.0" W x 4.13" D
Material, Housing:	16 Ga. (.062") Brushed SS
Material, Beacon:	Polycarbonate, Blue
Weight:	6 lbs.
Connectors:	1 Audio Pair, 1 Beacon Pair
Operating Temp:	-30° C to +55° C (-22°F to +131°F)
Speaker:	4 Ohms, 15 Watts 120 - 8,000 Hz 95 Db @ 1 Watt/Meter
Beacon:	350 Ma current source Visible at 4,000 Ft. Distance
MTBF:	Greater than 90,000 Hours

127 Route 206 South, STE 27
Trenton, NJ 08610

Contact: info@emcomsys.com
+1 (609) 585-5500
www.emcomsys.com

The dynamic nature of this product design dictates that the information contained in this document be subject to change without notice.
Emcom assumes no responsibility for errors and/or omissions contained herein.