

H300E - Surface Mount Box

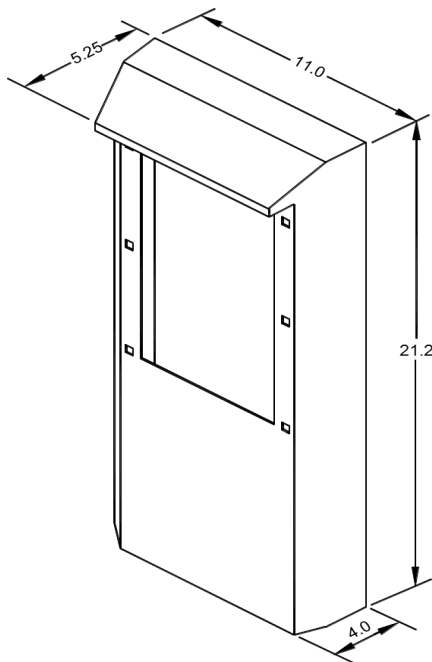
The H300E is a rugged, stainless steel surface mount box for Emcom System's family of hands-free and handset emergency assistance telephones. An internal tray is provided at the bottom of the unit for increased cable access and for other equipment. For extreme environments, an H305 Door may be added to provide further protection.

Advantages

- Stainless Steel Construction
- Integrated Drip Cap
- Mates with A401 Pole Mounting Frame
- Angled Sides to Improve Signage Visibility



Dimensions



Specifications

Dimensions:	21.2" H x 11" W x 5.25" D
Material:	16 Ga. (.0062") Stainless Steel
Weight:	8 lbs.
Signage:	"EMERGENCY" (standard)
Finishes:	Brushed Stainless, Red Powder Coat, Yellow Powder Coat (Shown)

127 Route 206 South, STE 27
Trenton, NJ 08610

Contact: info@emcomsys.com
+1 (609) 585-5500
www.emcomsys.com

The dynamic nature of this product design dictates that the information contained in this document be subject to change without notice. Emcom assumes no responsibility for errors and/or omissions contained herein.