

H341 Rugged Phone Enclosure

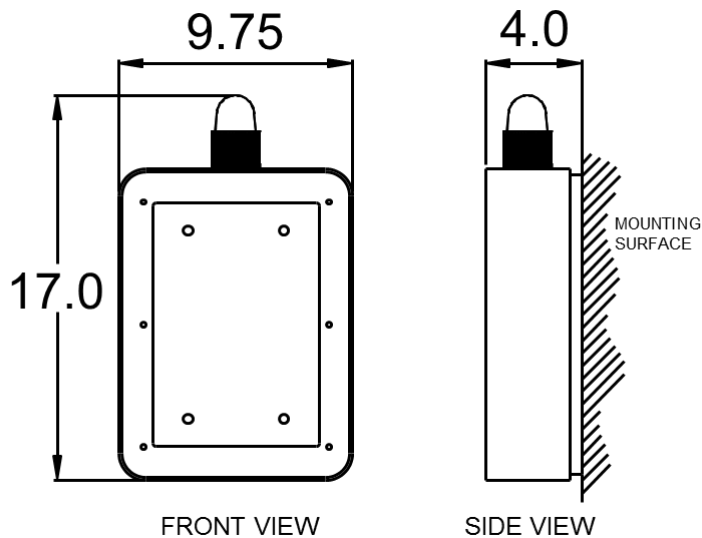
The H341 is a highly resilient enclosure with Blue Beacon designed to accept Emcom's IP60XX family of phones. Formed from Kydex®, the enclosure provides a cost-effective, protective housing for harsh environments. Designed to meet NEMA 4X, the H341 is suitable for either indoor or outdoor environments when installed with an Emcom IP60XX phone. With a 4" depth, the H341 meets ADA requirements for wall-mounted protruding objects. The 4 hole mounting pattern allows for flush wall installation or for pole or column mounting using the A401 Pole Mounting Kit.

Advantages

- high-impact 1/4" thick Kydex ®
- NEMA4X
- meets ADA requirements for protruding objects
- mounts to A401 pole mounting kit
- UL94V-0
- custom colors available
- optional blank plate for equipment mounting
- custom reflective labeling & text available
- 2 Year Warranty



Dimensions



Specifications

Dimensions:	17" H x 9.75" W x 4.0" D
Material:	1/4" thick Kydex®
Standard Colors:	Safety Yellow Pewter Gray
Phone Accepted:	IP60XX Family
Weight:	3 lbs.

127 Route 206 South, STE 27
Trenton, NJ 08610

Contact: info@emcomsys.com
+1 (609) 585-5500
www.emcomsys.com

The dynamic nature of this product design dictates that the information contained in this document be subject to change without notice. Emcom assumes no responsibility for errors and/or omissions contained herein.