

H350 Rugged Enclosure with Door

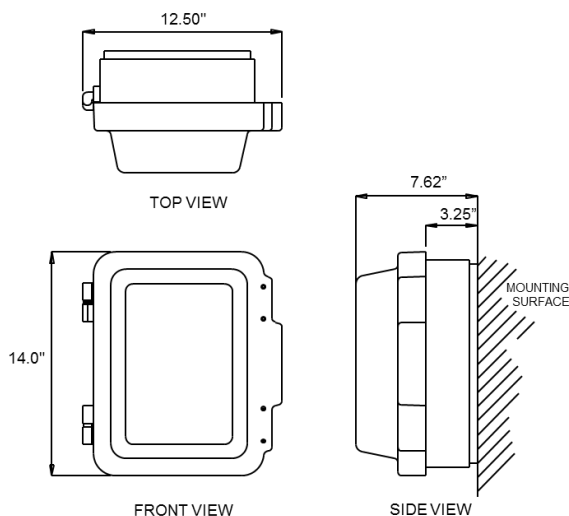
The H350 is a highly resilient, fully sealed enclosure designed to accept Emcom's IP60XX family of phones. Formed from Kydex®, the enclosure provides a cost-effective, protective housing for harsh environments. Designed to satisfy NEMA 4X, the H350 is suitable for both indoor and outdoor locations. The symmetrical design allows the unit to be mounted with the door opening from either the left or right side. A generous area for the door pull allows for easy opening of the enclosure even when wearing gloves. The 4 hole mounting pattern allows for flush wall installation or for pole or column mounting using the A401 Pole Mounting Kit.

Advantages

- high-impact 1/4" thick Kydex ®
- NEMA4X
- mounts to A401 pole mounting kit
- UL94V-0
- large built-in pull handle
- custom colors available
- optional blank plate for equipment mounting
- custom reflective labeling & text available
- 2 Year Warranty



Dimensions



Specifications

Dimensions:	14.0" H x 12.5" W x 7.63" D
Material:	1/4" Thick. Kydex®
Standard Colors:	Safety Yellow Pewter Gray
Door Closure:	2 Snap Action Compression Latches
Phone Accepted:	IP60XX Family
Weight:	5 lbs.

127 Route 206 South, STE 27
Trenton, NJ 08610

Contact: info@emcomsys.com
+1 (609) 585-5500
www.emcomsys.com

The dynamic nature of this product design dictates that the information contained in this document be subject to change without notice.

Emcom assumes no responsibility for errors and/or omissions contained herein.