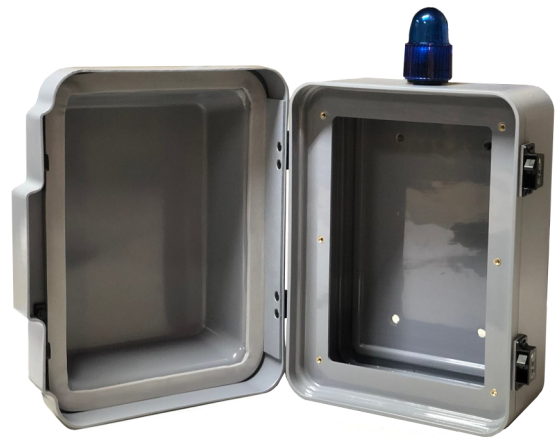


## H351 Rugged Enclosure with Door And Beacon

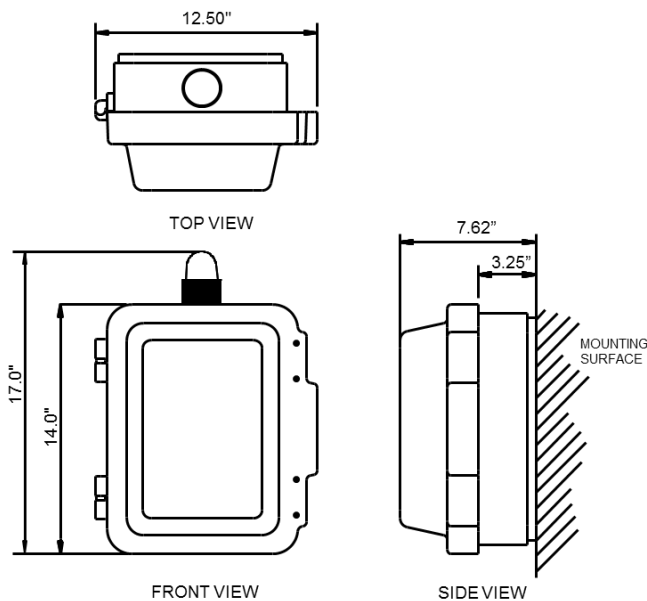
The H351 is a highly resilient enclosure with Blue Beacon designed to accept Emcom's IP60XX family of phones. Formed from Kydex®, the enclosure provides a cost-effective, protective housing for harsh environments. Designed to meet NEMA 4X, the H351 is suitable for either indoor or outdoor environments when installed with an Emcom IP60XX phone. The symmetrical design allows the unit to be mounted with the door opening from either the left or right side. The 4 hole mounting pattern allows for flush wall installation or for pole or column mounting using the A401 Pole Mounting Kit.

### Advantages

- High-Impact 1/4" thick Kydex ®
- NEMA4X
- mounts to A401 pole mounting kit
- UL94V-0
- large built-in pull handle
- custom colors available
- optional blank plate for equipment mounting
- custom reflective labeling & text available
- 2 Year Warranty



### Dimensions



### Specifications

|                  |                                   |
|------------------|-----------------------------------|
| Dimensions:      | 17" H x 12.5" W x 7.63" D         |
| Material:        | 1/4" Thick. Kydex®                |
| Standard Colors: | Safety Yellow<br>Pewter Gray      |
| Door Closure:    | 2 Snap Action Compression Latches |
| Phone Accepted:  | IP60XX Family                     |
| Weight:          | 5 lbs.                            |

127 Route 206 South, STE 27  
Trenton, NJ 08610

Contact: info@emcomsys.com  
+1 (609) 585-5500  
www.emcomsys.com

The dynamic nature of this product design dictates that the information contained in this document be subject to change without notice.

Emcom assumes no responsibility for errors and/or omissions contained herein.