

IP1300B-DC/LE Rugged Mounting Bracket for IP1300LE

The IP1300B is a rugged stainless steel mounting bracket for the IP1300 phone. The mounting bracket is secured to the wall using an adjustable mounting mechanism that accommodates wall irregularities.

The mounting bracket can also be supplied with a DPDT sealed pushbutton which may be used to assist in power disconnect.

The IP1300 fits on the mounting bracket and is secured with tamper-resistant hardware. When seated on the bracket, its connection area is completely sealed from the environment. Access to the bracket is through a 1" conduit hole in the base. The bracket and a mounted IP1300 protrude less than 5" from the wall surface.

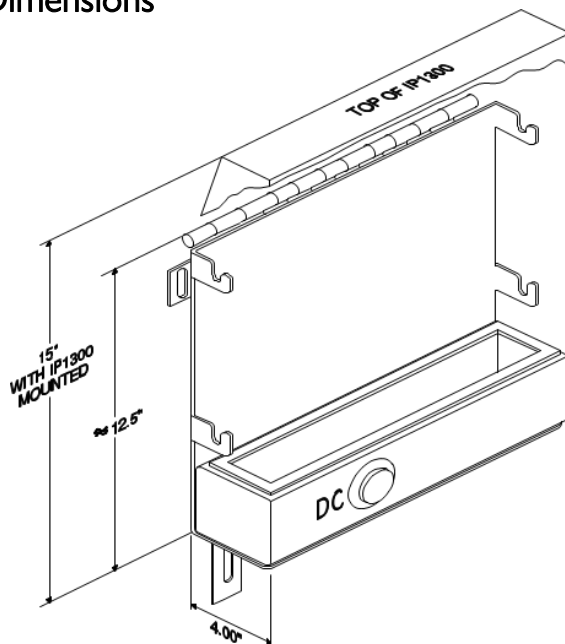
Model Number

- IP1300B-Blank/LE
- IP1300B-DC/LE

Description

- Blank Front Panel
- Front Panel with DPDT Sealed button labeled DC

Dimensions



Specifications

| | |
|-----------------|---|
| Dimensions: | 15.0" H x 12.25" W x less than 5" D |
| Panel: | 12 Ga. (.102") Brushed 316 SS |
| Weight: | 8 lbs. (without IP1300) |
| Operating Temp: | -40° C to +70° C (-40° F to +158° F) |