

## A403 – Blue Beacon w/Small Surface Mount Box

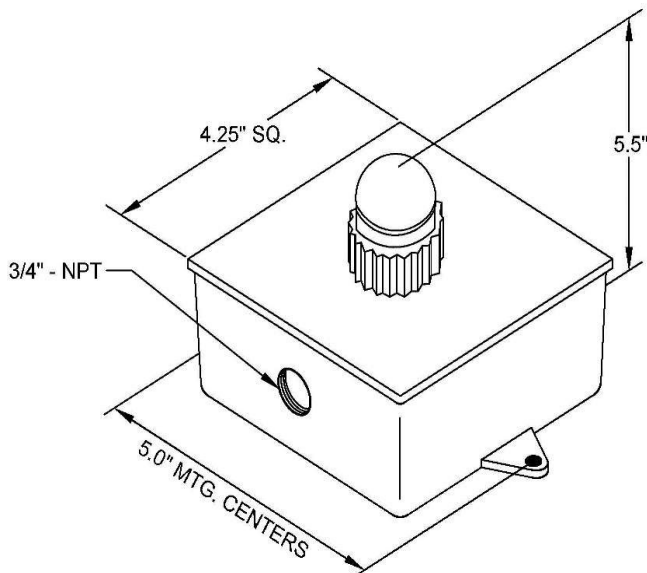
The A403 is a long-life blue LED beacon that serves as a location identifier. The beacon is secured to a mounting box that allows the unit to be surface mounted.

### Advantages

- Wide Operating Temperature
- 360 Degree Beacon
- Visible at 4000 ft. distance
- Submersible
- 2-Year Warranty
- Option to be Powered PoE



### Dimensions



### Specifications

Dimensions:	5" W x 4-1/4" H x 5-1/2" D
Weight:	3 lbs.
Connections:	1 Beacon Pair
Mounting Box Finish:	Gray
Mounting Box Material:	Die Cast Zinc
Operating Temp:	-30° C to +60° C (-22° F to +140° F)
Operating Voltage:	12-48 VDC
Power Consumption:	2 Watts
MTBF:	Greater Than 90,000 Hours

127 Route 206 South, STE 27  
Trenton, NJ 08610

Contact: [info@emcomsys.com](mailto:info@emcomsys.com)  
+1 (609) 585-5500  
[www.emcomsys.com](http://www.emcomsys.com)

The dynamic nature of this product design dictates that the information contained in this document be subject to change without notice.

Emcom assumes no responsibility for errors and/or omissions contained herein.