

H310 - In-Wall, Phone Mounting Box and Bezel

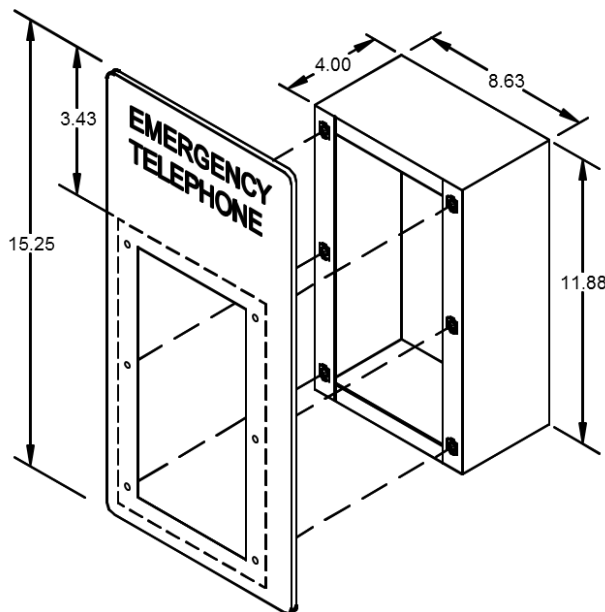
The H310 is a stainless steel box for the Emcom Systems' family of hands-free and handset emergency assistance telephones. The box may be mounted in a wall, which is ideal for locations where space is limited. The red bezel assists in identifying the emergency telephones quickly, and provides coverage of rough-in.

Advantages

- Accepts Emcom IP6XXX Phones
- Ideal for Tight Spaces
- Easily Identifiable as an Emergency Phone



Dimensions



Specifications

Dimensions:

Bezel:	15.25" H x 10.25" W
Box:	11.88" H x 8.63" W x 4" D

Material:

Bezel:	12 Ga. (.0106") 304 SS
Box:	16 Ga. (.062") Stainless Steel

Weight: 7 lbs.

Signage: "EMERGENCY TELEPHONE"
(Standard)

Bezel Finish: Brushed Stainless
Yellow Powder Coat
Red Powder Coat (shown)