

H310NL - In-Wall Box and Bezel Without Lettering

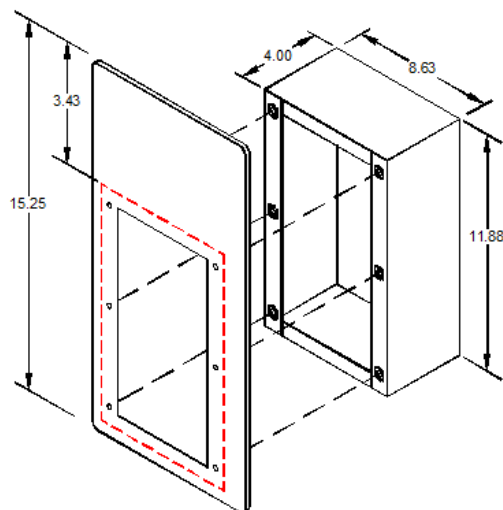
The H310NL is a stainless steel box for the Emcom Systems' family of hands-free and handset emergency assistance telephones. The box may be mounted in a wall, which is ideal for locations where space is limited. The red bezel assists in identifying the emergency telephones quickly, and provides coverage of rough-in.

Advantages

- Accepts Emcom IP6XXX Phones
- Ideal for Tight Spaces



Dimensions



Specifications

Dimensions:

Bezel: 15.25" H x 10.25" W

Box: 11.88" H x 8.63" W x 4" D

Material:

Bezel: 12 Ga. (.0106") 304 SS

Box: 16 Ga. (.062") Stainless Steel

Weight:

7 lbs.

Bezel Finish:

Brushed Stainless

Yellow Powder Coat

Red Powder Coat (shown)