

# IP6030-3HR Rugged, VoIP Handset Phone

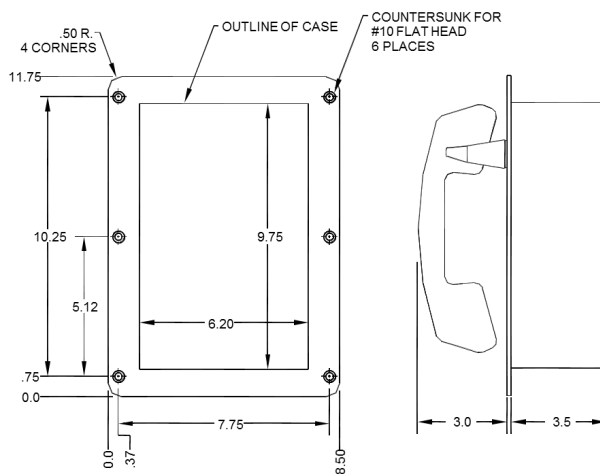
The IP6030-3HR is a hardened, vandal-resistant, intelligent, handset telephone that provides VoIP (Voice over Internet Protocol) communications utilizing SIP (Session Initiation Protocol). It is designed to withstand the harsh environments of subways, train stations and tunnels and is ideal for waysides, bridges, airports and other public areas. The flexible handset cord provides long reach with complete retraction. The unit contains a high energy loud ringer & includes the capability to drive a blue beacon.

## Advantages

- Sealed Metal Keypad
- Embedded, Sealed Ringer
- Hearing Aid Compatible
- High Memory Cord
- Remote Programming and Volume Adjust Via Browser or EmVista Maintenance
- Auxiliary Contact Closures
- 2 Year Warranty



## Dimensions



## Specifications

Dimensions:	11.75" H x 8.5" W x 3.5" D
Panel:	12 Ga. (.102") Brushed SS
Weight:	8 lbs.
Handset Cord:	Resilient Hytrel®
Connectors:	2 RJ-45, 2 Aux. Contacts 1 Power
Operating Temp:	-30° C to +55° C (-22°F to +131°F)
Power:	3.4 Watts 24 to 48 VDC, or PoE
2 Aux. Contacts:	120mA - 250VAC Rating, Opto-isolated
Freq. Response:	300Hz - 3KHz
MTBF:	Greater than 90,000 Hours
Compliance:	UL60950-1 CSA C22.2 No 60950-1

127 Route 206 South, STE 27  
Trenton, NJ 08610

Contact: info@emcomsys.com  
+1 (609) 585-5500  
www.emcomsys.com

The dynamic nature of this product design dictates that the information contained in this document be subject to change without notice.

Emcom assumes no responsibility for errors and/or omissions contained herein.