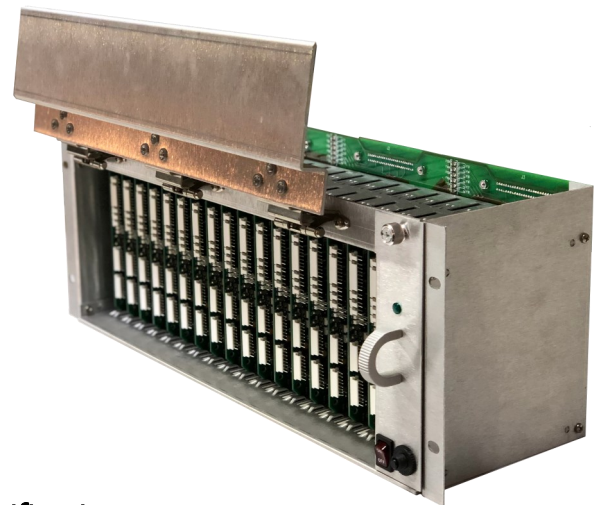


IP850-18 Communication Point Controller

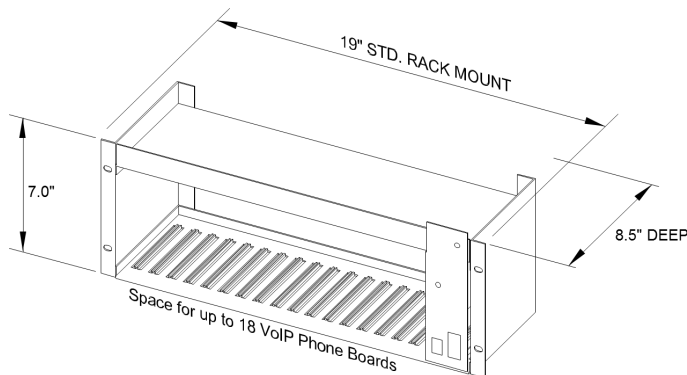
The IP850-18 is a 19" rack mounted, 4U Unit containing interface cards that provide centralized connections for up to 18 Rugged Communication Points. The interface cards provide VoIP (Voice over Internet Protocol) communications from each communication point to the network utilizing SIP (Session Initiation Protocol). The minimal electronics of the endpoints can be placed up to 2000 feet from the more sophisticated IP850 which can be centrally located in a more secure area. From 1 to 18 Communication Points are accommodated by simply adding IP850 interface cards. Each IP850-18 interface is programmed via a web browser and may be remotely supervised, tested and programmed using an Emcom Systems EmVista Maintenance Station.

Advantages

- Full Duplex
- Handles up to 18 Communication Points
- Wide Operating Temp. Range
- Background Noise Reduction Using DSP
- Remote Programming and Volume Adjust Via Web Browser or EmVista Maintenance



Dimensions



Specifications

Dimensions:	7.0" H x 19" W x 8.5" D
Chassis:	Painted Steel– Aluminum
Weight:	15 lbs. fully configured
Connectors:	2RJ-45 per interface 2 Audio, 1 Power per Interface 1 AC Power
Operating Temp:	-30° C to +60° C (-22° F to +140° F)
Power:	40 Watts (Full Chassis) 110—240 VAC 50-60-Hz
Freq. Response:	300Hz– 3KHz
MTBF:	Greater than 90,000

127 Route 206 South, STE 27
Trenton, NJ 08610

Contact: info@emcomsys.com
+1 (609) 585-5500
www.emcomsys.com

The dynamic nature of this product design dictates that the information contained in this document be subject to change without notice.

Emcom assumes no responsibility for errors and/or omissions contained herein.