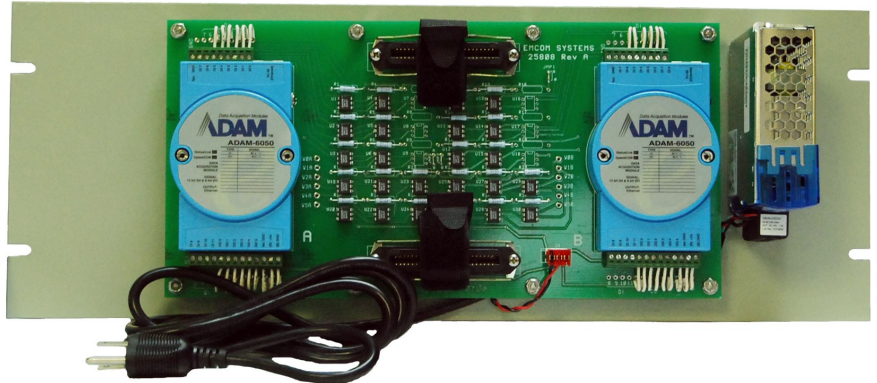


SA2000 - Radio, I/O Panel

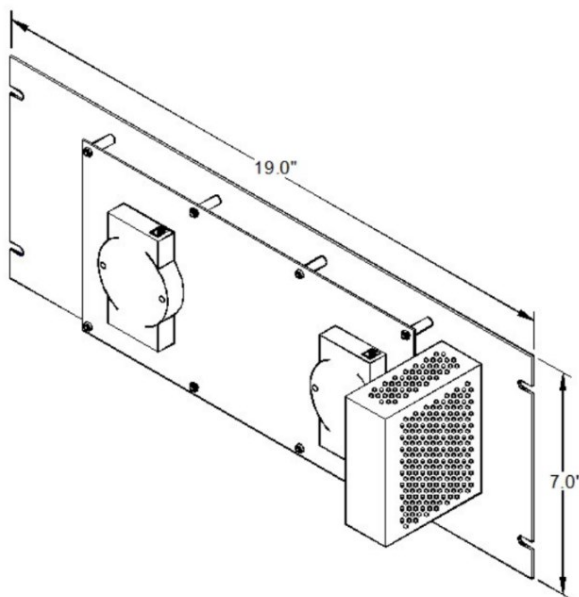
The SA2000 Radio, IO Panel provides a translational interface between radio Push To Talk and Carrier Detect signals in a trunking radio system. The electronics on the panel translate the signals to and from the radio into the IP domain where they are presented to a VoIP control system along with transmit and receive audio. The transmit and receive audio is normally presented to the system through the transmit and receive paths of a VoIP E&M gateway.

Advantages

- 19" Rack Mounted
- 12 Input Ports
- 12 Output Ports
- 2 Year Warranty



Dimensions



Specifications

Dimensions:	7" H x 19" W x 4" D
Panel:	11 Ga. Aluminum (grey)
Weight:	8 lbs.
Connectors:	1 AC Power
Operating Temp:	-20° C to +50° C (-4° F to +122° F)
Power:	110 - 240 VAC, 5 Watts
MTBF:	Greater Than 90,000 Hours

127 Route 206 South, STE 27
Trenton, NJ 08610

Contact: info@emcomsys.com
+1 (609) 585-5500
www.emcomsys.com

The dynamic nature of this product design dictates that the information contained in this document be subject to change without notice.
Emcom assumes no responsibility for errors and/or omissions contained herein.