



A405 - Surface Mount Blue Beacon with Beacon Driver

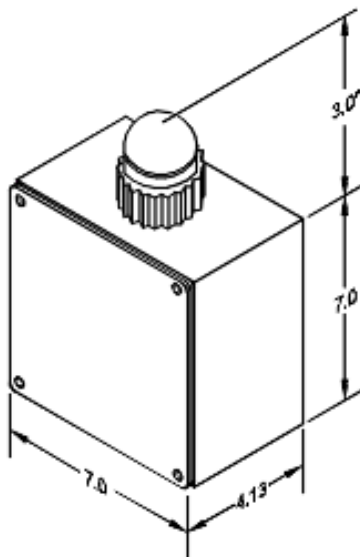
The A405 provides a vandal-resistant location identification via a blue light. It consists of a long-life, blue LED beacon mounted to a stainless steel housing with beacon driver board. The unit may be used standalone but is normally mounted in conjunction with an IP1300 or IP60XX family telephone which provides control to the blue beacon. The enclosure has four mounting holes for easy mounting to any flat surface or for use with an Emcom Systems A401 pole mounting kit.

Advantages

- All Stainless Steel
- Wide Operating Temperature
- 360° Beacon
- Submersible
- 2 Year Warranty



Dimensions



Specifications

Dimensions:	7.0" H x 7.0" W x 4.13" D
Material, Housing:	16 Ga. (.062") Brushed SS
Material, Beacon:	Polycarbonate, Blue
Weight:	6 lbs.
Connectors:	1 Beacon Pair
Operating Temp:	-30° C to +55° C (-22°F to +131°F)
Beacon:	350 Ma current source Visible at 4,000 Ft. Distance
MTBF:	Greater than 90,000 Hours

PO Box 59
Windsor, NJ 08561

92 N Main St , Bldg. 18A
Windsor, NJ 08561

Contact: info@emcomsys.com
+1 (609) 585-5500
www.emcomsys.com