



A420 - VOIP Speaker

The A420 provides a vandal-resistant Public Address speaker capability. It consists of a high output submersible speaker mounted inside a stainless steel housing along with VOIP SIP based electronics. The housing is designed to meet NEMA 4X standards for electrical enclosures. The unit may be powered from 24 to 48 VDC or from POE. The speaker output level is remotely settable from a browser interface or from Emcom's EmVista Maintenance System. The speaker may be mounted flat on a wall, on a curved wall using the A421 Tunnel Mounting Kit or on a pole using the A401S Pole Mounting Kit.

Advantages

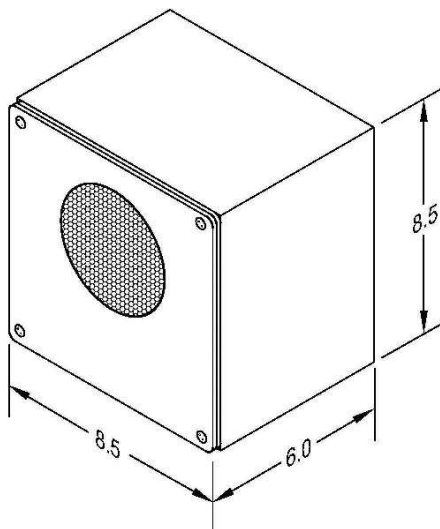
- All Stainless Steel
- Wide Operating Temperature
- Submersible Speaker
- Remote Programming and Volume Adjust Via Web Browser or EmVista Maintenance
- 3 port IP Switch for daisy chaining
- 2 Year Warranty

Optional Features

- Microphone
- Opto-Isolated Closures
- Marker Beacon



Dimensions



Specifications

Dimensions:	7.0" H x 7.0" W x 4.13" D
Material, Housing:	16 Ga. (.062") Brushed SS
Weight:	7 lbs.
Operating Temp:	-30° C to +60° C
Connectors:	2 RJ-45, 1 Power (-22°F to +140°F)
Power:	24 to 48 VDC or PoE
Freq. Response:	300Hz-3KHz
MTBF:	Greater than 90,000 Hours

PO Box 59
Windsor, NJ 08561

92 N Main St., Bldg. 18A
Windsor, NJ 08561

Contact: info@emcomsys.com
+1 (609) 585-5500
www.emcomsys.com