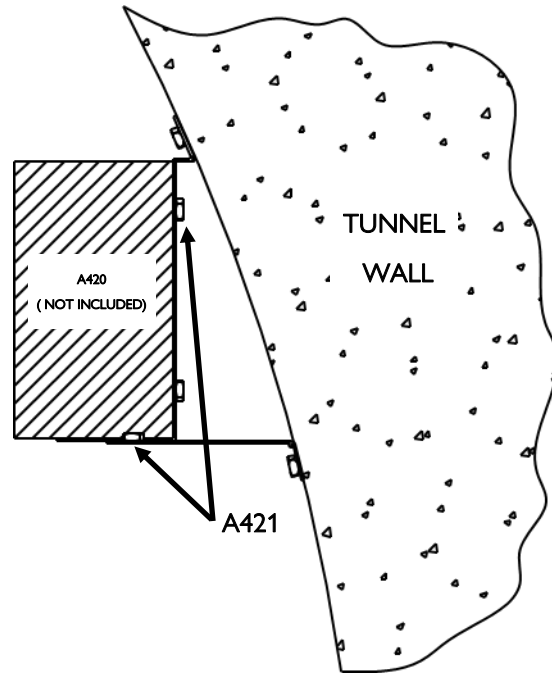


## A421 - Tunnel Wall Mounting Kit

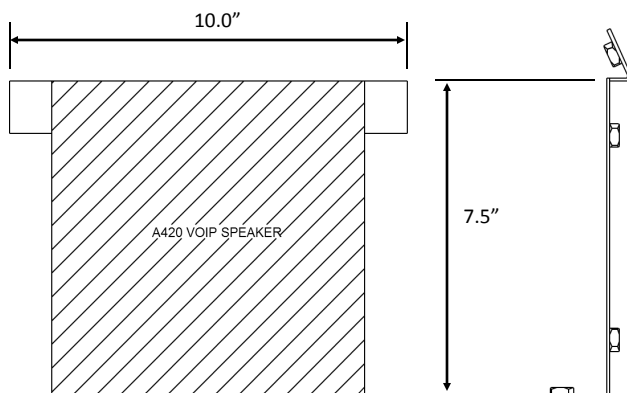
The A421 is a stainless steel mounting kit that allows the A400, A405 or A420 to be installed on curved walls. It consists of a hinged bracket to mount the housing along with slotted hinges that allow angled adjustment.

### Advantages

- All Stainless Steel
- Mounting for Curved Walls
- Designed for A400, A405, A420



### Dimensions



### Specifications

Dimensions:	7.5" H x 10.0" W
Material, Housing:	16 Ga. (.062") Brushed SS
Material, Beacon:	Polycarbonate, Blue
Weight:	8 lbs.

127 Route 206 South, STE 27  
Trenton, NJ 08610

Contact: [info@emcomsys.com](mailto:info@emcomsys.com)  
+1 (609) 585-5500  
[www.emcomsys.com](http://www.emcomsys.com)

The dynamic nature of this product design dictates that the information contained in this document be subject to change without notice.

Emcom assumes no responsibility for errors and/or omissions contained herein.