



A421 - Tunnel Wall Mounting Kit

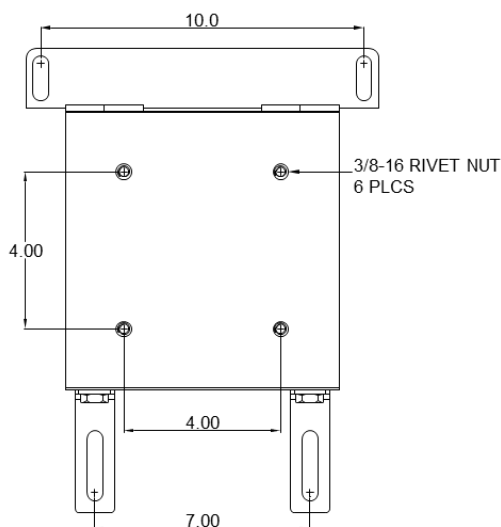
The A421 is a stainless steel mounting kit that allows the A400, A405 or A420 to be installed on curved walls. It consists of a hinged bracket to mount the housing along with slotted hinges that allow angled adjustment.

Advantages

- All Stainless Steel
- Mounting for Curved Walls
- Designed for A400, A405, A420



Dimensions



Specifications

Dimensions: 8.5" H (w/o hinges) x 10.75" W
Material, Housing: 12 Ga. (.100") Brushed 304 SS
Weight: 8 lbs.

