

A500 – Fault Notification Device

The A500 Fault Notification Device provides notification that the ability to communicate between local endpoints and local or remote responding endpoints has failed. The A500 provides notification of communication failure for critical applications such as Areas of Rescue and elevator communications and satisfies the requirements of ASME A17.1-2016 and NFPA 72-2019. The A500 is described in NFPA 72-2019 as an “audible and visual notification appliance”. The A500 is used in conjunction with the Emcom Fault Detection Service software application to provide a comprehensive notification of individual or multiple communication device failures as well as overall system health.

Features

- Failure notification within 200 seconds
- Audible Alarm suspension
- Re-alarm within 24 hours (if fault not removed)
- Automatic reset when fault is removed
- POE and Alternate power



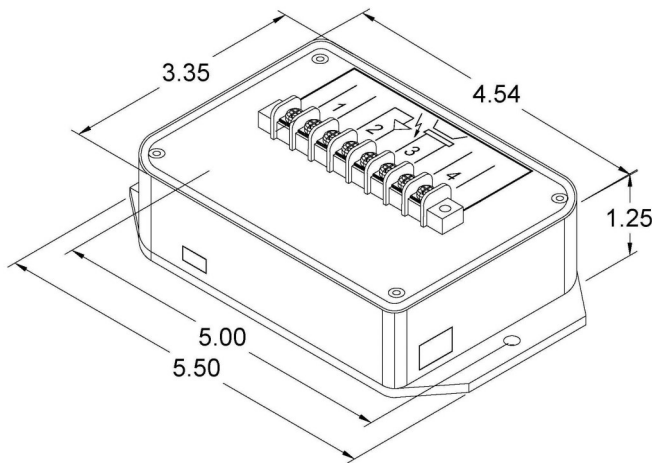
A500-1



A500-2

A500-1

The Fault Notification Device electronics with isolated, normally open contacts that close when a failure is detected, with contacts to power an external LED, with contacts to power an external buzzer and with contact to accept an input from an alarm silencing key switch.

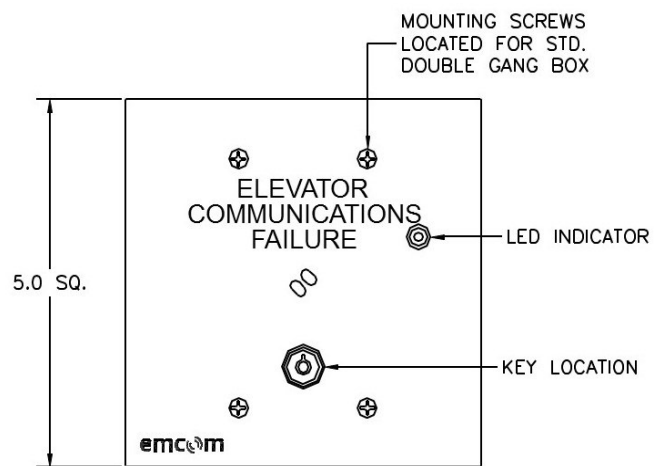


Specifications

Power:	POE and/or 5 VDC 1 A power module
Connections:	RJ45 Ethernet, Micro USB
Terminal Strip Pairs:	NO contact closure (closes on communication loss) 10 ma DC source to power LED Power to Piezo Annunciator Input from alarm suspension switch

A500-2

The Fault Notification Device electronics coupled to a two-gang panel containing an LED indicator, an audible alarm and a key switch to silence the audible alarm. The panel is labeled “ELEVATOR COMMUNICATIONS FAILURE”.



Specifications

Power:	POE and/or 5 VDC 1 A power module
Connections:	RJ45 Ethernet, Micro USB
LED:	NO contact closure (closes on communication loss) 10 ma DC source to power LED
Piezo:	Piezo Annunciator active when a power or network failure occurs
Key Switch:	NO contact closure until the key switch rotated 90° clockwise