



90 N. Main Street, #18A
Windsor, NJ 08561
www.emcomsys.com

(609) 585-5500
Fax: (609) 585-7723
info@emcomsys.com

BL1000 Hands-Free VoIP Phone Installation, Operation and Programming

Product Description

The BL1000 is a hands-free phone for public use. It is typically used in public areas, including Areas of Refuge, to provide connection to emergency assistance or security resources. The phone utilizes VoIP (Voice over Internet Protocol) and communicates through the Ethernet with other devices using SIP (Session Initiation Protocol).

The BL1000 has its own phonebook which may be programmed so that when its pushbutton is pressed the unit connects to other devices such as VoIP telephones

- Analog telephones (through gateways)
- The Public Switched Telephone Network
- PBXs
- The EmVista Central call management and conferencing system
- The EmVista Area of Refuge system

Programming of the phone is accomplished through a simple web browser interface or through Emcom Systems' EmVista Maintenance Station application which is typically used for large installations.

The BL1000 utilizes DSP (Digital Signal Processing) to manage audio levels and can be set for normal, echo prone or noisy environments. The environment settings and volume levels are remotely programmable.

The BL1000 can be powered from AC, from DC sources of 12 to 48 Volts and is compatible with POE (Power over Ethernet).

Installation

1. Mechanical

Figure 1 depicts the outline of the BL1000 with overall dimensions and connection points.

Figure 2 is an explode view of how the phone is installed. The unit is typically secured to a standard 2 Gang outlet box.

Feed the power and communication wires through the center hole of the BL1000 mounting plate. Use the provided outlet box screws to secure the BL1000 plate to the box. The half round notch on the plate should be facing downward to ensure correct orientation.

Connect the power and communication cables according to Figure 1. An Ethernet extension cable is included with each unit and is plugged into the PoE Port. The extension cable can be moved to the Ethernet Port when required.

Secure the BL1000 housing to the mounting plate with the 4 Torx Head screws provided. A T15 Torx Drive is required for installation.

2. Electrical

In the back of the unit are the external connections. There are 9 connectors, but in a typical application only 2 connectors are used. These are for power and for the Ethernet connection. Additional connectors provide for auxiliary contact closures, for a second Ethernet connection, a diagnostic port, an external trigger, an external audio output, an external audio input and for retransmitted power out. The function of each connector is marked on the back case of the unit.

2.1.1 Power

J2 – 12VDC to 48VDC non-polarized

J3 - POE

The BL1000 may be operated from a 6 watt, ripple-free source of from 12 -48VDC on connector J2. The connector is labeled EXT PWRIN on the back case. Normally, the BL1000 is delivered with a 102-240 VAC to 12VDC power supply. When POE is supplied on Ethernet connector J3 no additional power is required. Connector J3 is labeled PoE Port on the back case.

2.1.2 Ethernet Connections

J3, J4 – The BL1000 contains a 100 Mbit 3-port Ethernet switch. One of the switch ports is the IP phone itself. The other 2 switch ports, RJ45 connectors J3 and J4, allow for connection to the unit, for adding another Ethernet device or for daisy-chaining BL1000 units. Connector J3 is labeled PoE Port and J4 is labeled Ether Port.

2.1.3 Auxiliary Contact Closures

J28 – There are two auxiliary contact closures available on the unit. These are opto-isolated, normally open connections capable of operating at 120 volts DC with 120 milliamps maximum current. The contact closures may be used for gate release, beacon activation, etc. These contact closures are labeled AUX 1 and AUX 2 on the back case of the unit. In the standard configuration, AUX 1 opens and closes at a 1 second rate when a phone is active and AUX 2 is continually closed when a phone is active.

2.1.4 Diagnostic Connector

J17 – This 8-pin connector allows a serial port connection and is normally used for factory troubleshooting. This connector is labeled SERIAL on the back case of the unit. The PCB may have to be removed to have enough room to attach the cable.

2.1.5 External Trigger

J26 – This connector provides for an external means of activating the unit. It is internally opto-isolated from the core electronics. A momentary closure at J26 provides activation. This connector is labeled CTRL on the back case.

2.1.6 External Audio Output

J24 – This connector provides output for an external amplifier and speaker that may be attached to the unit. This 600 ohm output is AC coupled. It is labeled AUDOUT on the back case of the unit.

2.1.7 External Audio Input

J27 – This connector provides for an external line-level audio source that may be placed in parallel with the internal microphone of the unit. This 600 ohm input is AC coupled and should not exceed 2 volts peak-to-peak. This connector is labeled AUDIN on the back case of the unit.

2.1.8 Ancillary Power

J1 – This connector provides redirected input power to drive subsidiary boards that may be used in various versions of the BL1000. When not used, this connector is covered over. This connector is labeled PWR OUT on the back case of the unit.

3. Operation

The BL1000 communicates with other VoIP networked devices using SIP. Voice connections can be made to other SIP devices directly or to other non-SIP devices such as analog telephones through SIP intermediaries called gateways.

3.1 Calls From An BL1000

When the activation button is pressed on the BL1000, the unit, using SIP, places a call via the Ethernet port to the far end communication device whose access information has been previously programmed into the BL1000 phone book. At the same time, the red LED of the unit flashes to indicate that a call has been placed and a ring back tone is heard from the unit's speaker. If the far end communication device responds, a SIP dialog is held with the BL1000. The red LED is extinguished, the ring back tone ceases, the green LED begins flashing and a two way conversation may be held between the BL1000 and the far end communication device. When the far end communication device hangs up, another SIP dialog takes place, the call is terminated and the green LED is extinguished.

The phone book of the BL1000 can be programmed with the access information of up to 100 far end devices that can be arranged in a fall through list. That is, if the first device does not respond or is busy, the BL1000 tries the next one, and so on, until an available device is reached or until the complete list has been tried.

3.2 Calls to An BL1000

Calls are made to the BL1000 from a far end communications device in the reverse manner. The far end device simply dials (or autodials) the access information of the

BL1000 and a SIP dialog is begun. The BL1000 acknowledges the receipt of the call, issues a shrill ringing tone and turns on its flashing green LED. Two-way conversation can then take place. When the far end communications device hangs up, another SIP dialog takes place, the call is terminated and the green LED is extinguished.

4. Programming

Programming of the functions and phonebook of the BL1000 may be accomplished through a web interface from any current browser or by using the EmVista Maintenance Station.

4.1 Programming Using the Browser Interface

4.1.1 Entering the Browser Interface

The phone setup is reached by placing the IP address of the BL1000 in the address line of the browser and pressing enter.

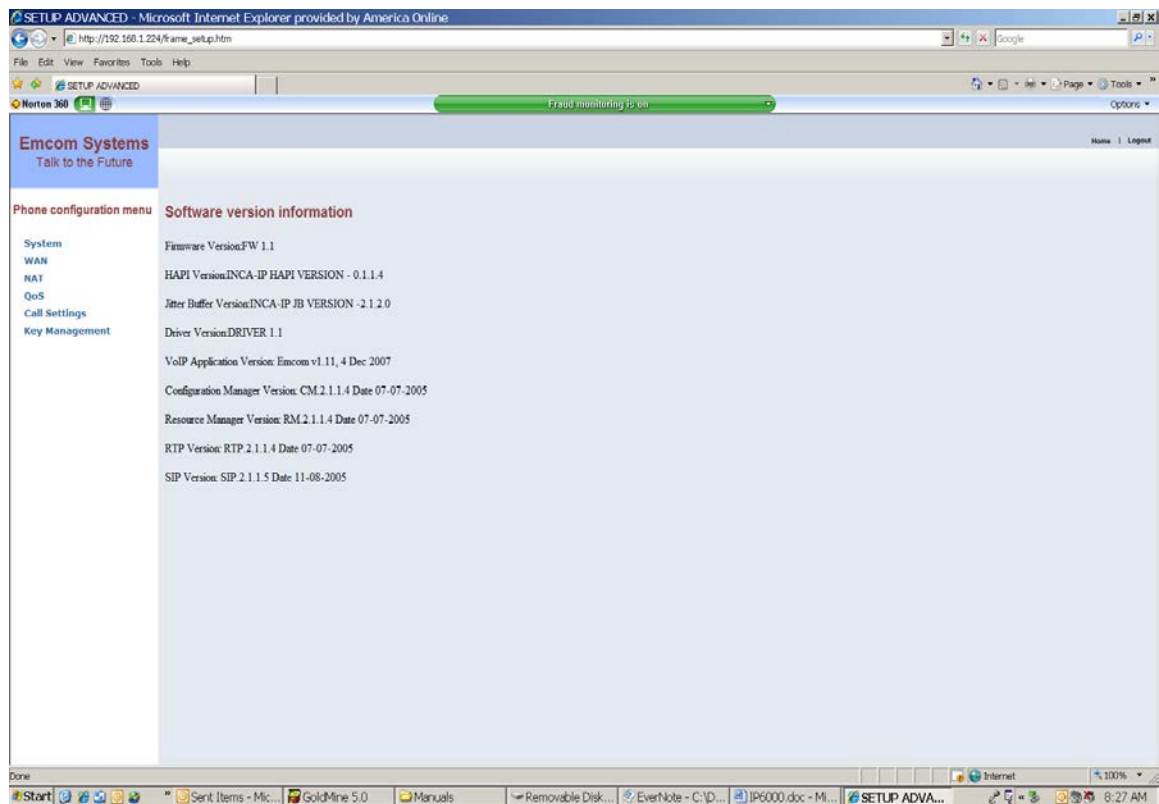
As shipped from the factory, the IP address of the unit is 192.168.1.22X where X is equal to the last digit of the serial number of the unit. The serial number is on the back case of the unit.

Example: Serial number is 653 IP address is 192.168.1.223

Upon pressing enter, the login page will appear.

The default user name is: "ADMIN" The default password is: "1234"

Upon entering the user name and password and pressing enter, the following menu screen will appear.

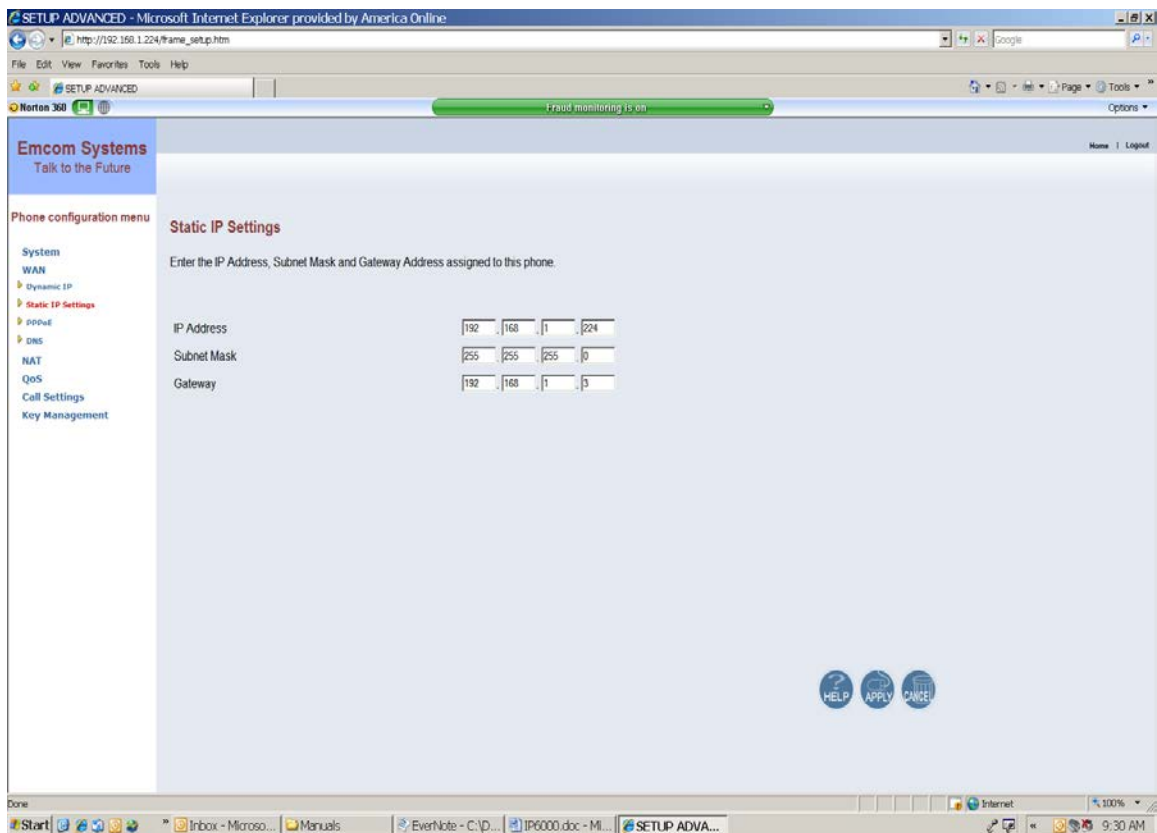


The right pane of this screen provides software version information. The left pane of the screen provides a menu that is always available to navigate to other setup functions.

4.1.2 Changing the IP Address, Subnet Mask and Default Gateway

Using the left pane navigator, click on WAN. The navigation tree will expand and three selection buttons will appear in the right pane. Make sure that the Static IP Address button is selected.

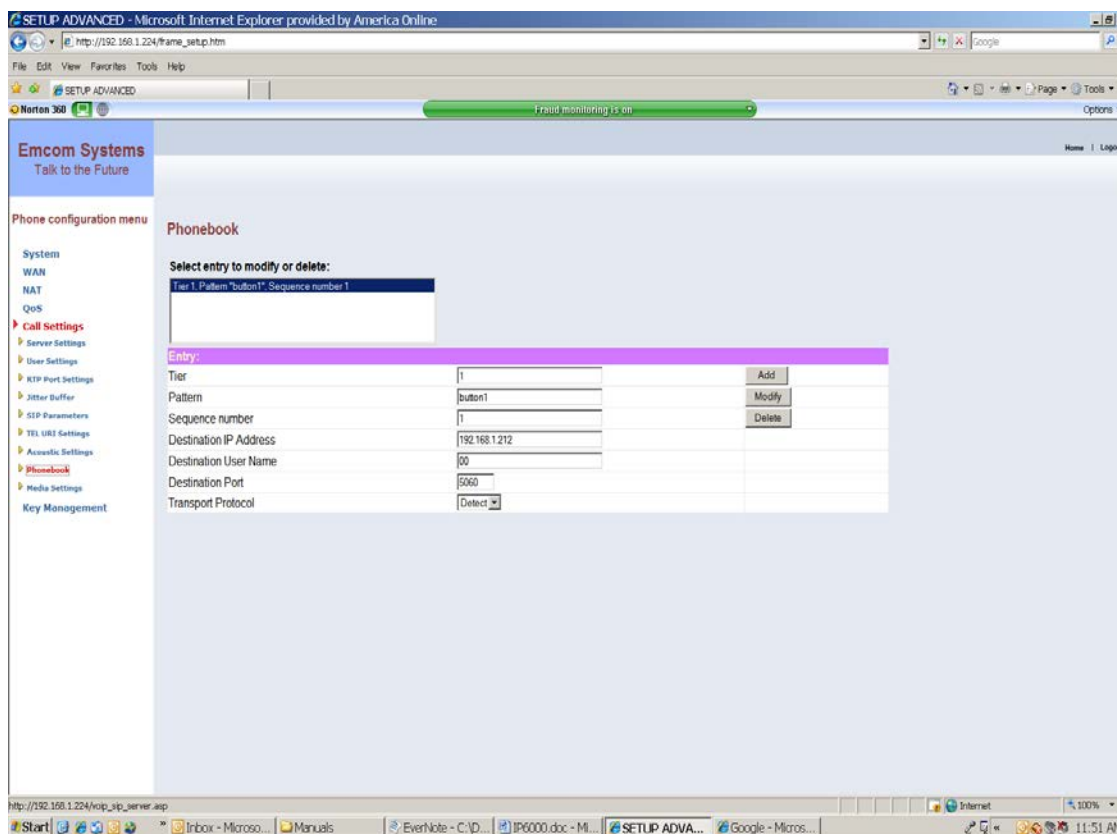
In the navigation tree, click on Static IP Settings. The following screen will appear:



Change the IP Address, the Subnet Mask and the IP Gateway to the desired settings and click on apply. The BL1000 will automatically enter the new values and will restart itself. Since the BL1000 has been restarted, the connection to the browser will have been lost. The connection is re-established by again entering the IP address in the browser access line.

4.1.3 Changing the Phonebook

The phonebook of the BL1000 is changed by clicking on Call Settings in the navigation tree pane and then by clicking on Phonebook in the submenu. The following window will appear:



The setup functions in this screen are defined as follows:

Tier – Tier is a sequencing mechanism used for complex searches that are sometimes required for other models of Emcom phones. All BL1000 calls should be assigned to Tier “1”.

Pattern – Pattern defines the event that enables a call. For the BL1000 it is the pressing of “Button1”. Note that there is no space in “Button1”.

Sequence Number – Sequence Number defines the sequence in which succeeding calls are placed if the first call does not go through. Sequence “1” would be the first attempt, Sequence “2” the second attempt, etc.

Destination IP Address – This is the IP address of the SIP device that is to receive the call.

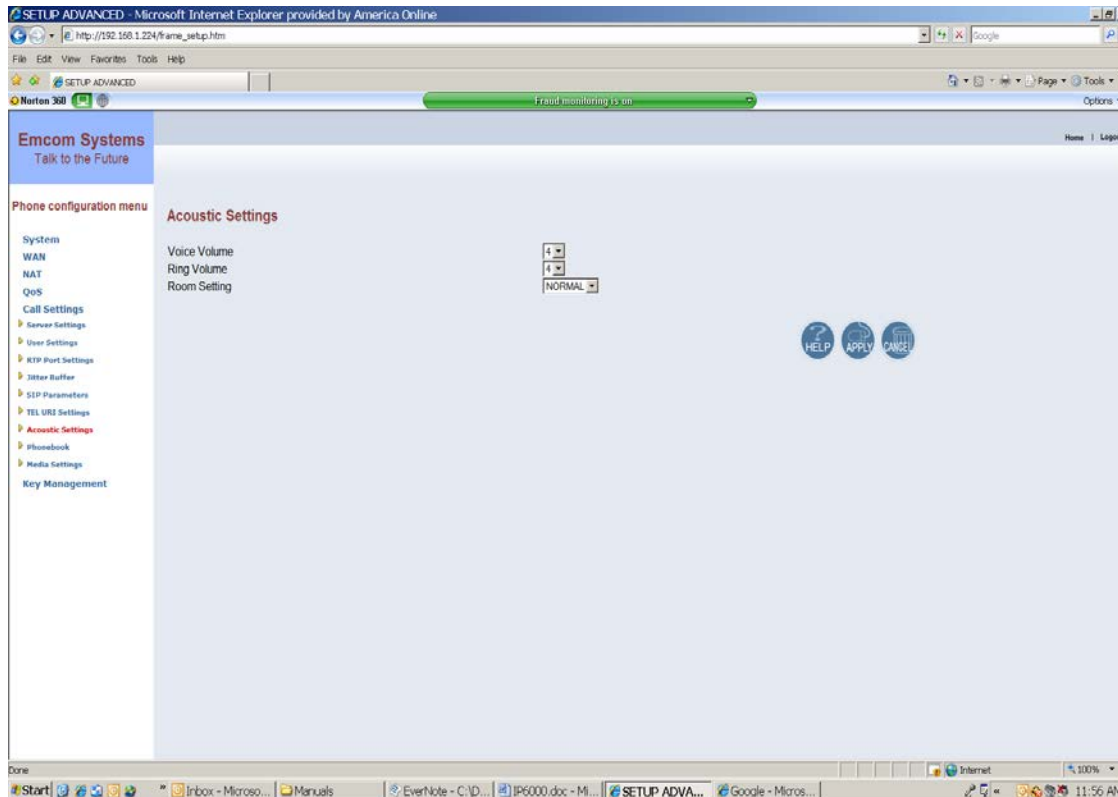
Destination User Name – This is the local number of the device attached to the receiving SIP device. It is normally designated in the setup of the receiving device. For Example: If the final receiving device is an analog phone connected to one of the ports of a SIP gateway, the Destination User Name would be the port number assigned to the port that the analog phone is connected to. If the SIP receiving device is the fin

Destination Port – The Destination Port is a standard port number assigned to IP phones and should be left at 5060.

Transport Protocol – The Transport Protocol should be left at Default.

4.1.4 Changing the Acoustic Environment and Audio Levels

The acoustic environment and audio level settings are also reached as a subdirectory of the Call Settings menu. Click on Call Settings and then click on Acoustic Settings. The following screen will appear:



Voice Volume - Voice volume sets the level heard from the BL1000 speaker. The adjustment levels are from 1 to 8 with 8 the loudest. The numbers on this screen may be changed during a two-way conversation through the BL1000 and the speaker level will change accordingly.

Ring Volume – Ring Volume adjusts the alerting level first heard from the BL1000 when a call is placed to it. The scale is from 1 to 8.

Room Setting – This setting allows adjusting for Normal, Noisy or Echoic rooms.

4.1.5 Additional Programmable Functions

A number of additional programmable functions are available through the various submenus of the left navigation pane. These functions are typically used only for

unique applications. It is recommended that the user first communicate with factory support before any setup changes in these areas are attempted.

4.2 Programming Using EmVista Maintenance Station

EmVista Maintenance workstation is an application that resides on a laptop or workstation on the network and provides an automated interface for programming the BL1000. It also maintains a database of all of the phonebook information and programming parameters of each BL1000 and automatically tests each unit.

The use of the EmVista Maintenance workstation is discussed in the document EmVista Maintenance Station User Guide.

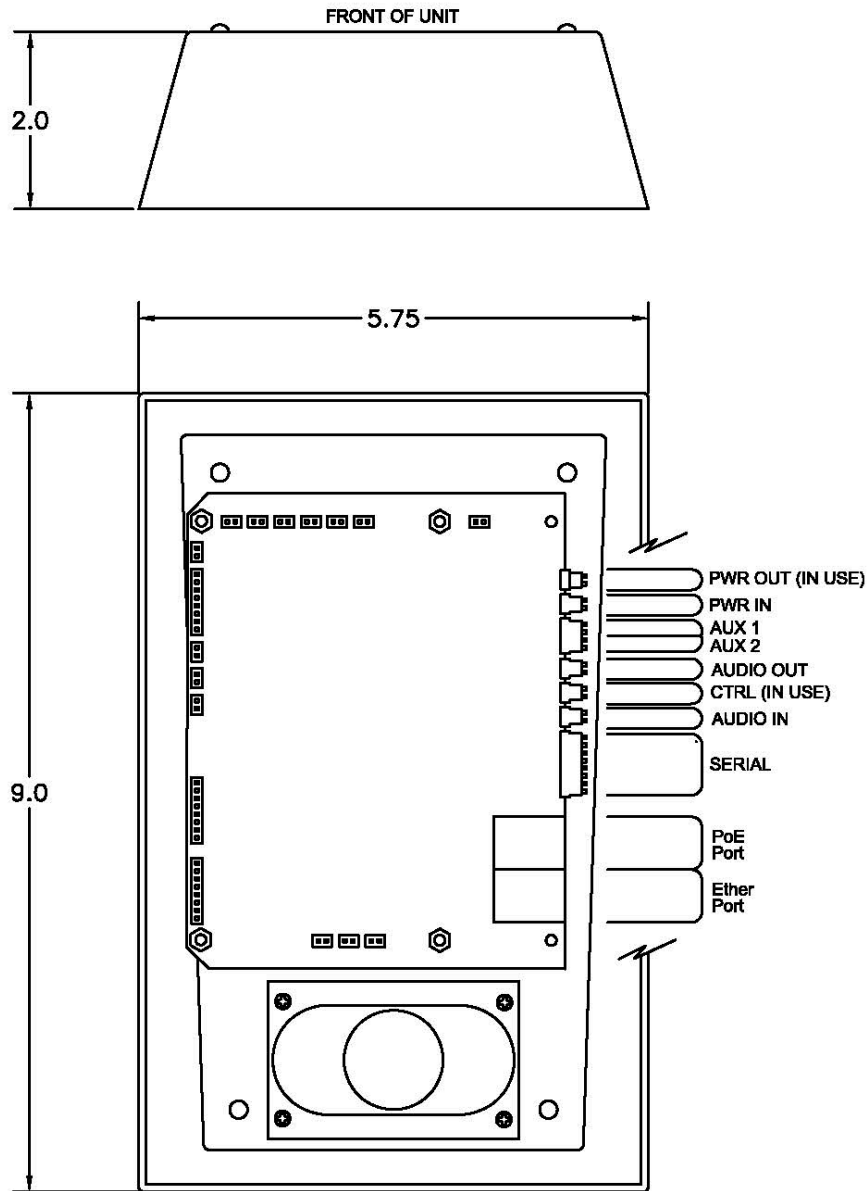


FIGURE 1. OVERALL DIMENSIONS & WIRING BL1000 BACK VIEW

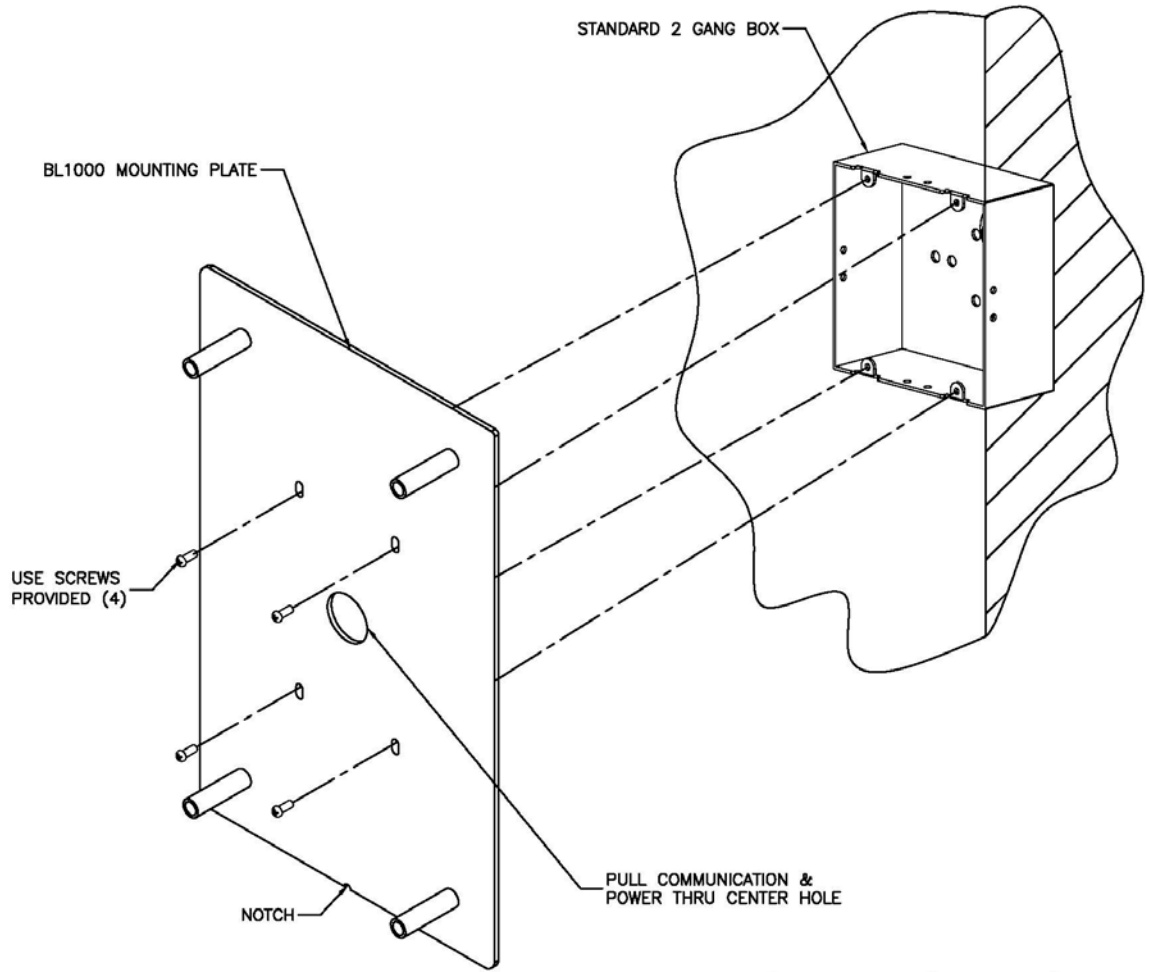


FIGURE 2. MOUNTING