



## EM132 - Low REN, High Efficiency Ringer

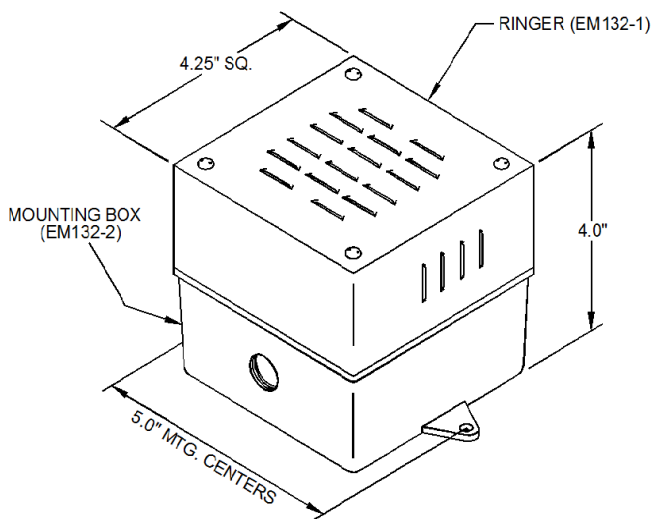
The EM132 is loud, highly efficient, rugged, telephone line ringer. Louvered openings on the front and sides of the unit permit maximum sound output contained in a highly vandal-resistant enclosure. Dust filters behind the louvers impede harmful elements from entering the unit. The two external mounting tabs allow for easy installation to any surface. Ringer housing is secured to back mounting box with four captive, spanner bit screws.

### Advantages

- Low REN Activation
- High Output Ringer
- Built-in 1 mf Blocking Capacitor
- Ruggedized Enclosure
- 2 Year Warranty



### Dimensions



### Specifications

Dimensions:	4.25" H x 5" W x 4" D
Mtg. Holes:	5" Centers
Ringer Box Material:	18 Ga Stainless Steel
Mounting Box Material:	Cast Aluminum with Beige Power Coating
Weight:	2 lbs.
Connections:	1 RJ-11, or Terminal Strip
Operating Temp:	-20° C to +50° C (-4° F to +122° F)
Output:	90dB @ 2 feet with 90 VRMS 20 Hz Input
REN:	.4A, .8B

PO Box 59  
Windsor, NJ 08561

92 N Main St , Bldg. 18A  
Windsor, NJ 08561

Contact: [info@emcomsys.com](mailto:info@emcomsys.com)  
+1 (609) 585-5500  
[www.emcomsys.com](http://www.emcomsys.com)