



H300 - Surface Mount Box for IP60XX Phones

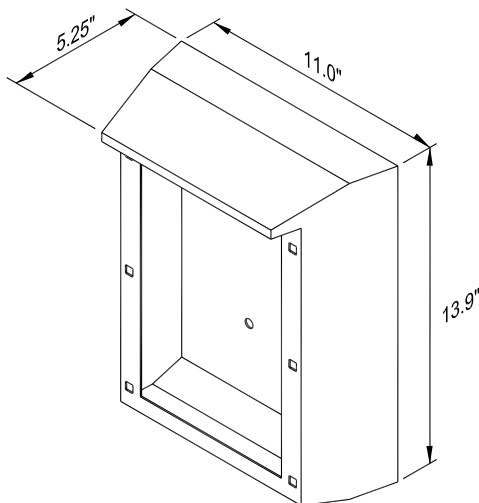
The H300 is a rugged, stainless steel, surface mount box for the Emcom Systems' family of hands-free and handset emergency assistance telephones. For extreme environments, an H305 Door may be added to provide further protection.

Advantages

- Stainless Steel Construction
- Mates with A401 Pole Mtg. Frame
- Integrated Drip Cap
- Angled Side to Improve Signage Visibility
- Accepts H305



Dimensions



Specifications

Dimensions:	13.9" H x 11" W x 5.25" D
Material:	16 Ga. (.062") Stainless Steel
Weight:	7 lbs.
Signage:	"EMERGENCY" (standard)
Finish:	Brushed Stainless Red Powder Coat Yellow Powder Coat (shown)
Compliance:	NEMA 4X

PO Box 59
Windsor, NJ 08561

92 N Main St , Bldg. 18A
Windsor, NJ 08561

Contact: info@emcomsys.com
+1 (609) 585-5500
www.emcomsys.com

The dynamic nature of this product design dictates that the information contained in this document be subject to change without notice.

Emcom assumes no responsibility for errors and/or omissions contained herein.