

## H300NL - Surface Mount Box for IP60XX Phones

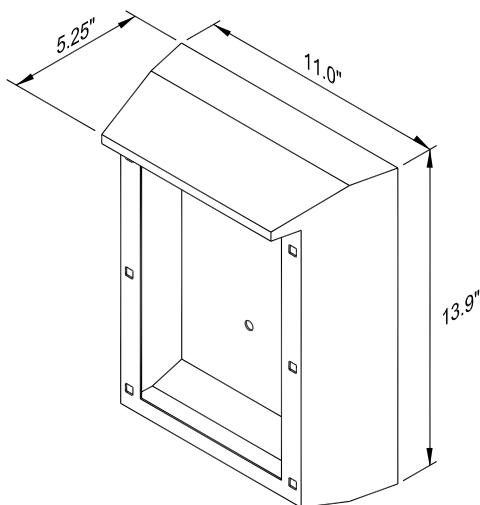
The H300NL is a rugged, stainless steel, surface mount box for the Emcom Systems' family of hands-free and handset emergency assistance telephones. For extreme environments, an H305 Door may be added to provide further protection.

### Advantages

- Stainless Steel Construction
- Mates with A401 Pole Mtg. Frame
- Integrated Drip Cap
- Accepts H305



### Dimensions



### Specifications

Dimensions:	13.9" H x 11" W x 5.25" D
Material:	16 Ga. (.062") Stainless Steel
Weight:	7 lbs.
Finish:	Brushed Stainless Red Powder Coat Yellow Powder Coat (shown)

127 Route 206 South, STE 27  
Trenton, NJ 08610

Contact: [info@emcomsys.com](mailto:info@emcomsys.com)  
+1 (609) 585-5500  
[www.emcomsys.com](http://www.emcomsys.com)