

H305 - Door For Surface Mount Box H300

The H305 is a rugged, stainless steel, door that mates with the Emcom H300 surface mount enclosure. The door includes a keyed lock and a concealed stainless steel spring closure. The door can be mounted to open from the left side or the right side.

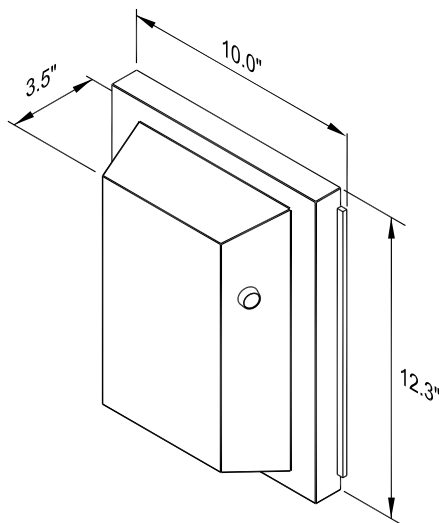
Advantages

- Stainless Steel Construction
- Concealed SS Spring Closure
- Door Latches in Open Position
- Door Can be Reversed



Shown with H300 Housing

Dimensions



Specifications

| | |
|-------------|--|
| Dimensions: | 12.3" H x 10" W x 3.5" D |
| Material: | 16 Ga. (.062") Stainless Steel |
| Weight: | 7 lbs. |
| Finish: | Brushed Stainless Red Powder Coat Yellow Powder Coat (shown) |

127 Route 206 South, STE 27
Trenton, NJ 08610

Contact: info@emcomsys.com
+1 (609) 585-5500
www.emcomsys.com

The dynamic nature of this product design dictates that the information contained in this document be subject to change without notice.