



H305 - Door For Surface Mount Box H300

The H305 is a rugged, stainless steel, door that mates with the Emcom H300 surface mount enclosure. The door includes a keyed lock and a concealed stainless steel spring closure. The door can be mounted to open from the left side or the right side.

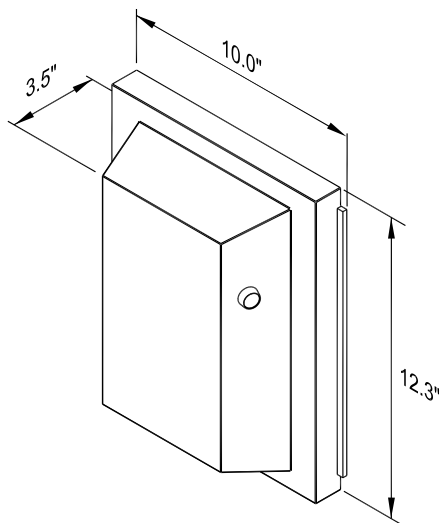
Advantages

- Stainless Steel Construction
- Concealed SS Spring Closure
- Door Latches in Open Position
- Door Can be Reversed



Shown with H300 Housing

Dimensions



Specifications

Dimensions:	12.3" H x 10" W x 3.5" D
Material:	16 Ga. (.062") Stainless Steel
Weight:	7 lbs.
Finish:	Brushed Stainless Red Powder Coat Yellow Powder Coat (shown)

PO Box 59
Windsor, NJ 08561

92 N Main St , Bldg. 18A
Windsor, NJ 08561

Contact: info@emcomsys.com
+1 (609) 585-5500
www.emcomsys.com

The dynamic nature of this product design dictates that the information contained in this document be subject to change without notice.

Emcom assumes no responsibility for errors and/or omissions contained herein.