



H310NL - In-Wall Box and Bezel Without Lettering

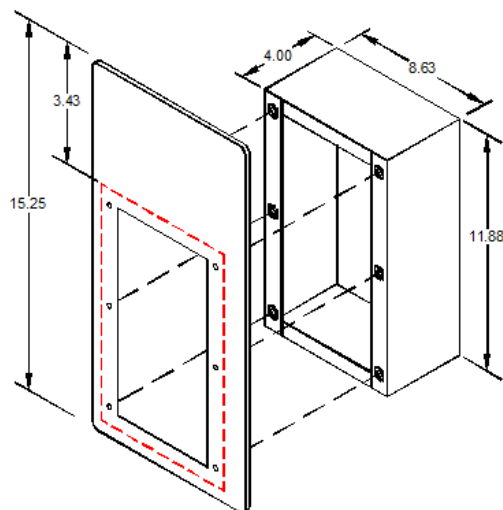
The H310NL is a stainless steel box for the Emcom Systems' family of hands-free and handset emergency assistance telephones. The box may be mounted in a wall, which is ideal for locations where space is limited. The red bezel assists in identifying the emergency telephones quickly, and provides coverage of rough-in.

Advantages

- Accepts Emcom IP6XXX Phones
- Ideal for Tight Spaces



Dimensions



Specifications

Dimensions:	
Bezel:	15.25" H x 10.25" W
Box:	11.88" H x 8.63" W x 4" D
Material:	
Bezel:	12 Ga. (.0106") 304 SS
Box:	16 Ga. (.062") Stainless Steel
Weight:	7 lbs.
Bezel Finish:	Brushed Stainless Yellow Powder Coat Red Powder Coat (shown)

PO Box 59
Windsor, NJ 08561

92 N Main St , Bldg. 18A
Windsor, NJ 08561

Contact: info@emcomsys.com
+1 (609) 585-5500
www.emcomsys.com

The dynamic nature of this product design dictates that the information contained in this document be subject to change without notice.

Emcom assumes no responsibility for errors and/or omissions contained herein.