

H320 Wall Mount Housing

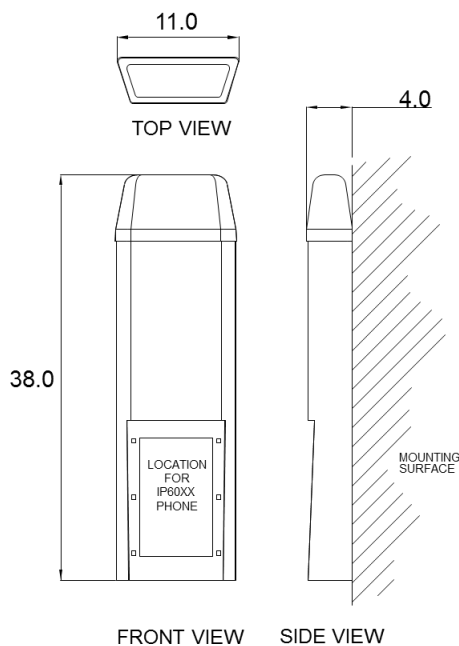
The stainless steel wall mount housing is ideal for environments that require a vandal-resistant point of communication. The always illuminated blue LED beacon provides high visibility and a sense of security. Accepts Emcom's IP60XX family of IP phones.

Advantages

- stainless steel construction
- polycarbonate lens
- meets ADA requirements for wall protrusion (4" from wall)
- integrated blue LED beacon
- accepts Emcom's IP60XX family of IP phones
- beveled design provides optimal signage visibility
- available with custom signage & lettering



Dimensions



Specifications

| | |
|-----------------|---------------------------------------|
| Dimensions: | 38" H x 11" W x 4" D |
| Material: | stainless steel & high-impact acrylic |
| Weight: | 24 lbs. |
| Connectors: | 1 pair for beacon |
| Operating Temp: | -40°C to 70°C (-40°F to 158°F) |

127 Route 206 South, STE 27
Trenton, NJ 08610

Contact: info@emcomsys.com
+1 (609) 585-5500
www.emcomsys.com

The dynamic nature of this product design dictates that the information contained in this document be subject to change without notice.

Emcom assumes no responsibility for errors and/or omissions contained herein.