



92 N. Main Street, #18A
Windsor, NJ 08561
www.emcomsys.com

(609) 585-5500
Fax: (609) 585-7723
info@emcomsys.com

H33X Series Pedestal Mounting Installation Instruction

JUNE 03, 2021

OVERVIEW

The H33X series pedestal unit is installed to four 5/8-11 mounting bolts on a concrete pad according to the instructions contained within and local building codes. All mounting hardware is included with the pedestal. See Figure 1 for bolt and conduit locations and overall footprint.

MOUNTING KIT PARTS

| QTY | EMCOM PART NUMBER | DESCRIPTION |
|-----|-------------------|--|
| 1 | 931108 | LOCATING TEMPLATE |
| 4 | 968370 | NUT, THIN, 316 SS, 5/8 -11 (3/8" HIGH) |
| 4 | 931106 | BOLTS, SS, 5/8-11 X 20" |
| 8 | 968276 | WASHER, FENDER, 5/8", SS |
| 8 | 968371 | NUT, HEX, SS, 5/8-11 (9/16 HIGH) |

RECOMMENDED TOOLS FOR INSTALLATION

| |
|---|
| 15/16" 12-POINT DRIVE SOCKET AND LONG-HANDLE RATCHET WRENCH |
| SOCKET EXTENSION, 4" OR LONGER |
| #8 SPANNER DRIVE AND DRIVER |
| LEVEL |

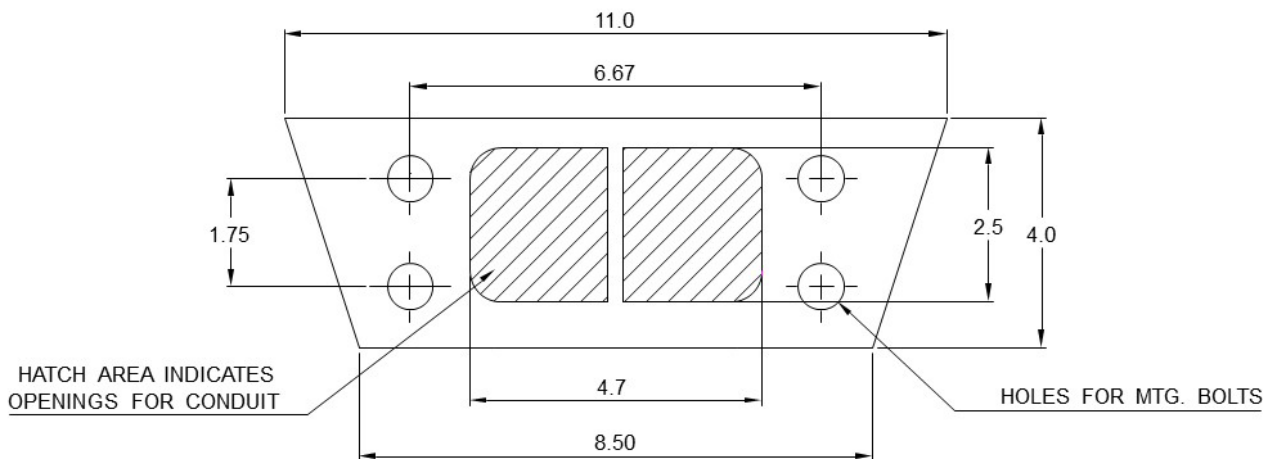


FIGURE 1. BOLT AND CONDUIT LOCATIONS

FOUNDATION PREPARATION (See Figure 2)

1. Use the locating template for the locations of the mounting bolts and for the conduit.
2. Power and signal line conduits are run through the foundation and into the center 2.5" X 4.75" area of the mounting base on either side of the 1/4" thick support strut. The top of conduits should be between 3" and 4" of the above foundation surface.
3. Pour the foundation at least 24" in diameter and 36" deep in accordance with local codes and frost line. Slope it away from the center to promote water run off.
4. Using the template, locate and install the 4 mounting bolts in the foundation with 3.5" to 5" of the bolt protruding above the surface.

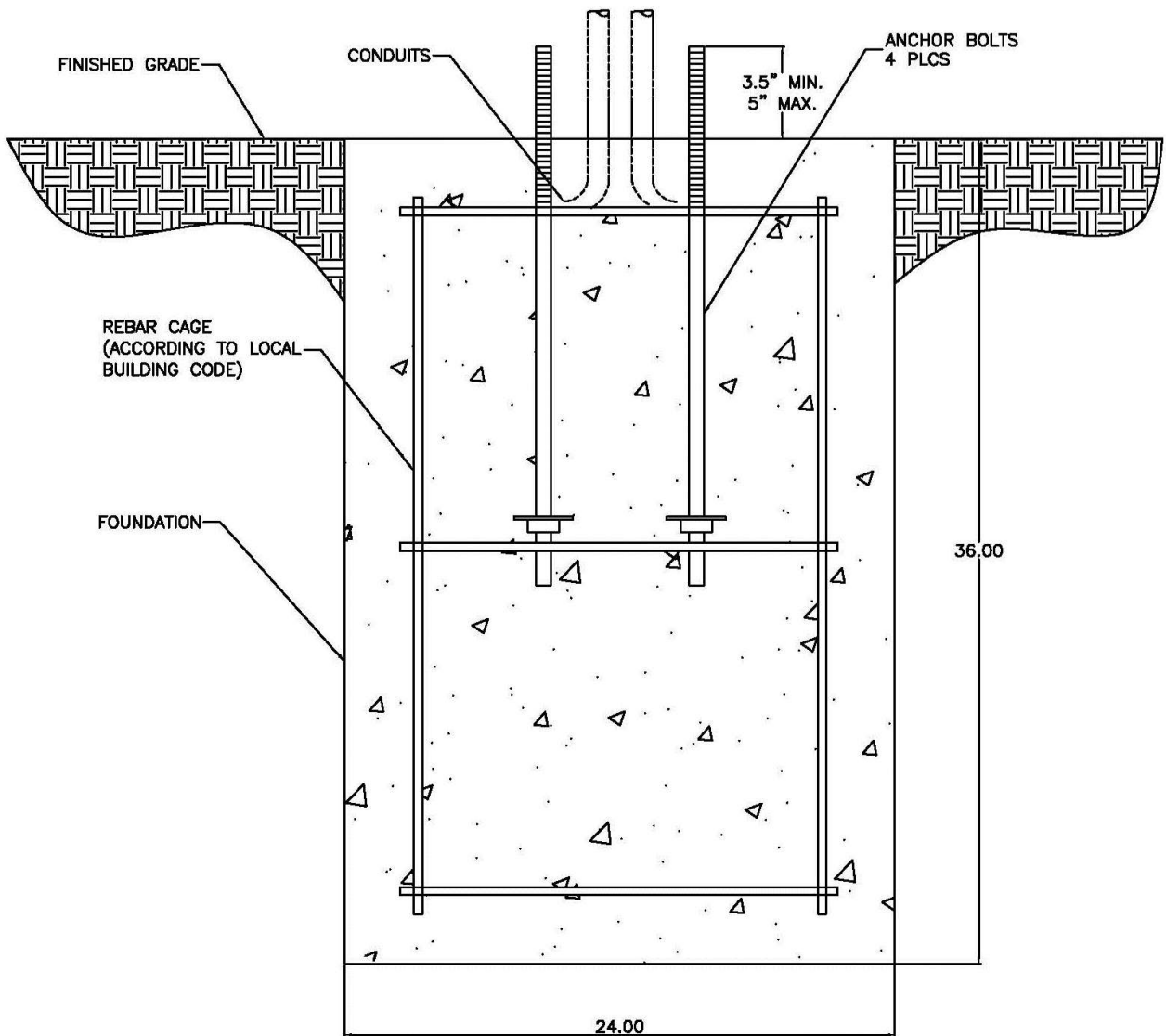


FIGURE 2 . FOUNDATION CROSS SECTION

PEDESTAL MOUNTING (See Figure 3)

1. Using #8 spanner drive and driver, remove the 8 vandal-resistant screws that secure the access panel at the bottom of the pedestal.
2. Install one 5/8-11 thin nut (Jam Nut) on each bolt with the bottom of the nut approximately $\frac{3}{4}$ " above the foundation surface. Locate all four nuts on the thread so that they appear to be level with each other.
3. Place one Fender Washer on top of each of the thin nuts.
4. Using the level confirm that all nuts / washers are level with each other. Be sure to apply the level at opposite diagonal bolts to ensure all nuts are at the same height. Adjust nuts accordingly until all are level.
5. Once level, slide the H33X pedestal over the bolts.
6. The H33X pedestal should sit level over the nuts and washers. Apply level to sides of pedestal to confirm unit is plumb.
7. Through the front access opening, slide one Fender Washer over each of the four bolts.
8. Hang-tight one standard 5/8-11 Hex Nuts over each of the four bolt.
9. Using the 15/16" 12 point socket, ratchet wrench and extension, tighten each of the bolts down to the Fender Washer. Tighten each Hex Nut to a torque of 85 in-lbs.
10. Hang-tight one 5/8-11 Hex Nuts over each of the previously installed Hex Nuts.
11. Using the 15/16" 12 point socket, ratchet wrench and extension, tighten each of the bolts down to the previously secured Hex Nuts. Tighten each Hex Nut to a torque of 85 in-lbs.
12. Pedestal mounting is now complete.
13. See separate Electrical Installation document for installing phone.

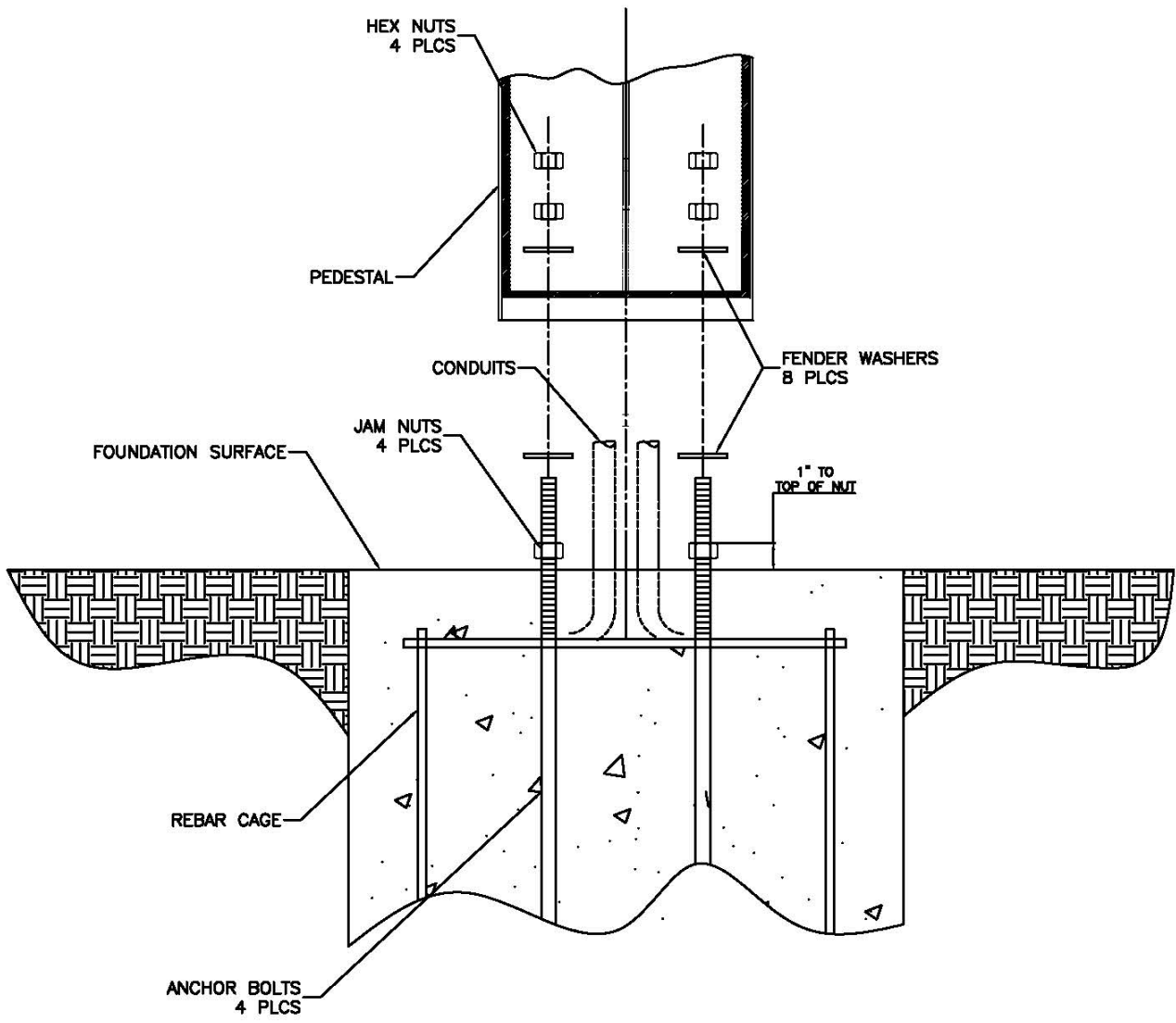


FIGURE 3 . EXPLODED VIEW