



IP6002- Modular VoIP Phone Board with Rugged Housing

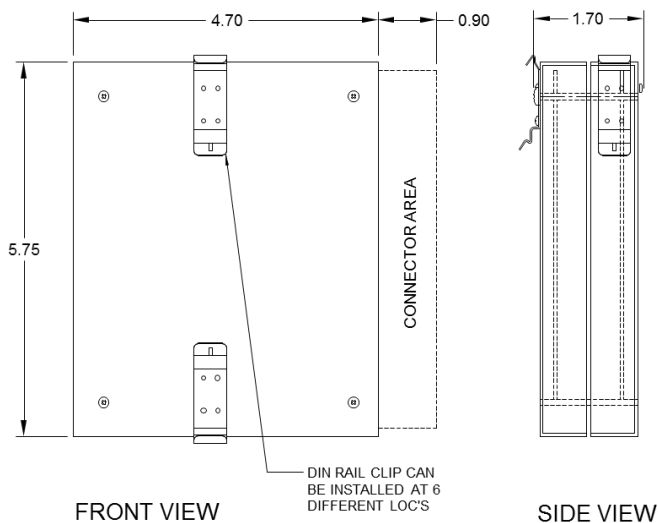
The IP6002 is an electronics only, full-duplex, intelligent hands-free emergency assistance phone that provides VoIP (Voice over Internet Protocol) communications utilizing SIP (Session Initiation Protocol). This IP telephone unit is ideal for applications behind elevator car operating panels or any indoor area that requires emergency assistance communications. The IP6002 is programmed via a web browser or is remotely supervised, tested and programmed using an Emcom Systems EmVista Maintenance Station. It is designed to work in new applications or with Emcom’s retrofit adaptor panels that replace existing analog elevator phones.

Advantages

- Remote Programming and Volume Adjustment via Web Browser or EmVista Maintenance
- Auxiliary Contact Closures
- 3 Port IP Switch for Accessories (IP Camera)
- 2 Year Warranty
- Wide Operating Temp. Range
- Compatible with Various Elevator Phone Panels
- DIN Rail available for mounting purpose



Dimensions



Specification

Dimensions:	5.75" H x 4.75" W x 1.70" D
Material:	Aluminum
Connectors:	2 RJ-45, 2 Aux. Contacts, 1 Power
Operating Temp:	-30° C to +60° C (-22°F to +121°F)
Power:	3.4 Watts at Full Volume 9 to 54 VDC, 48 VDC PoE or 110-240 VAC, 50-60 Hz with adaptor
2 Aux Contacts:	120mA-250 VAC Rating, Opto-Isolation
Freq. Response:	300Hz - 3 kHz
MTBF:	Greater than 90,000 hours
Compliance:	UL60950-I CSA C22.2 No.60950-I

See page 2 for Panel Adaptors and Dimensions (IP6002-2 & IP6002-3)

PO Box 59
Windsor, NJ 08561

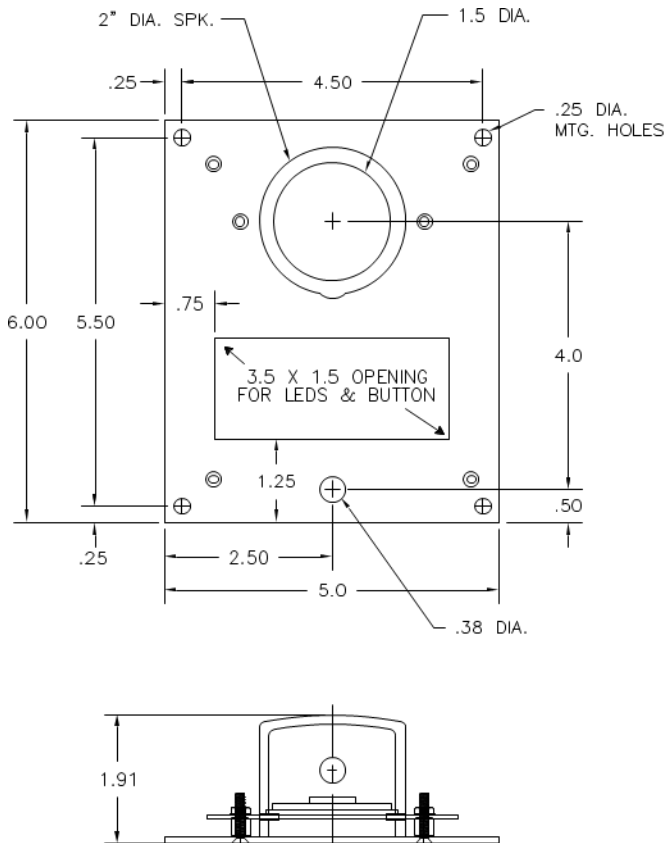
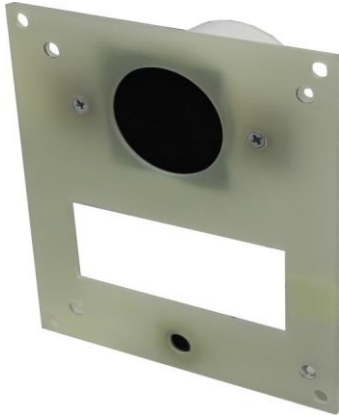
92 N Main St., Bldg. 18A
Windsor, NJ 08561

Contact: info@emcomsys.com
+1 (609) 585-5500
www.emcomsys.com

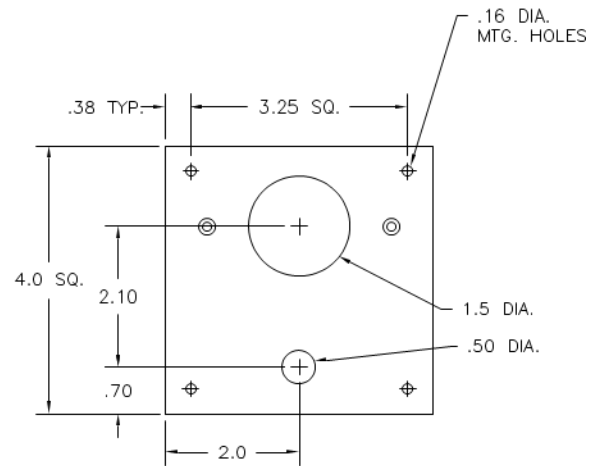
The dynamic nature of this product design dictates that the information contained in this document be subject to change without notice.



IP6002-2 Janus / VPP Compatible



IP6002-3 Control Compatible



PO Box 59
Windsor, NJ 08561

92 N Main St, Bldg. 18A
Windsor, NJ 08561

Contact: info@emcomsys.com
+1 (609) 585-5500
www.emcomsys.com

The dynamic nature of this product design dictates that the information contained in this document be subject to change without notice. Emcom assumes no responsibility for errors and/or omissions contained herein.