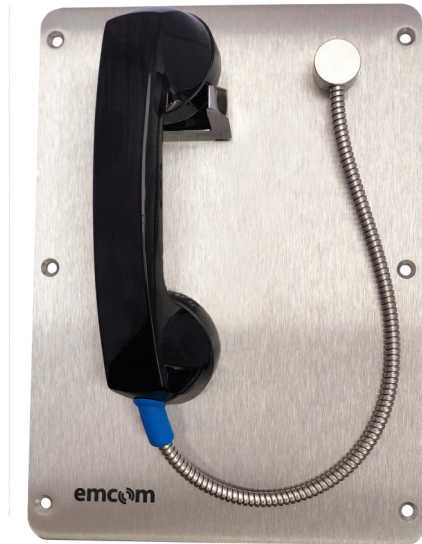


IP6030-0 Rugged, VoIP Handset Phone

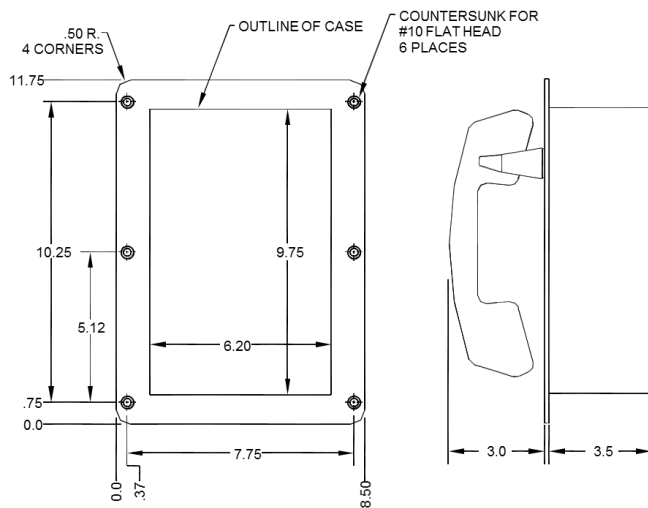
The IP6030-0 is a hardened, vandal-resistant, intelligent, handset telephone that provides VoIP (Voice over Internet Protocol) communications utilizing SIP (Session Initiation Protocol). It is designed to withstand the harsh environments of subways, train stations and tunnels and is ideal for waysides, bridges, airports and other public areas.

Advantages

- Noise Canceling Microphone
- Hearing Aid Compatible
- Remote Programming and Volume Adjust Via Browser or EmVista Maintenance Station
- 2 Year Warranty



Dimensions



Specifications

Dimensions:	11.75" H x 8.5" W x 3.5" D
Panel:	12 Ga. (.102") Brushed SS
Weight:	8 lbs.
Connectors:	2 RJ-45, 2 Aux. Contacts 1 Power
Operating Temp:	-30° C to +55° C (-22°F to +131°F)
Power:	3.4 Watts 12 to 48 VDC, 48 VDC PoE
Freq. Response:	300Hz - 3KHz
MTBF:	Greater than 90,000 Hours
Compliance:	UL60950-1 CSA C22.2 No.60950-1
Compatibility:	Mitel Cisco Genetec

127 Route 206 South, STE 27
Trenton, NJ 08610

Contact: info@emcomsys.com
+1 (609) 585-5500
www.emcomsys.com

The dynamic nature of this product design dictates that the information contained in this document be subject to change without notice.

Emcom assumes no responsibility for errors and/or omissions contained herein.