



IP6030-15 Rugged, VoIP Handset Phone

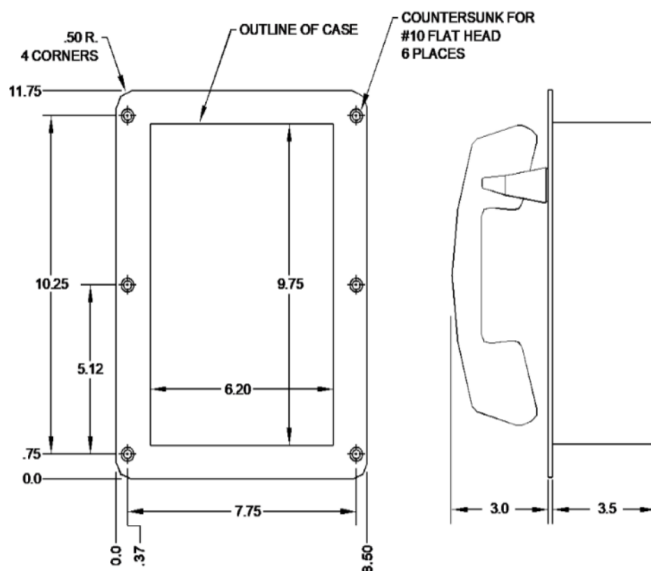
The IP6030-15 is a hardened, vandal-resistant, intelligent handset telephone that provides VoIP (Voice over Internet Protocol) Communications utilizing SIP (Session Initiation Protocol). It is designed to withstand the harsh environments of subways, train stations, and tunnels, and is ideal for waysides, bridges, airports, and other public areas.

Advantages

- Noise Canceling Microphone
- Hearing Aid Compatible
- Armored Cable, Hytrel Coiled Cord (optional)
- Remote Programming and Volume Adjust Via Web Browser or EmVista Maintenance Station
- Auxiliary Contact Closures
- 2 Year Warranty



Dimensions



Specifications

Dimensions:	11.75" H x 8.5" W x 3.5" D
Panel:	12 Ga. (1.02") Brushed SS
Weight:	8lbs.
Armored Cord:	500 Lbs. Pull Stretch
Connectors:	2 RJ-45, 2 Aux. Contacts, 1 Power
Operating Temp:	-30° C to +60° C (-22° F to +140° C)
Power:	3.4 Watts at Full Volume 9 to 54 VDC, 48 VDC PoE Or 110 -240 VAC 50-60 Hz
2 Aux. Contacts:	120mA-250VAC Rating Opto-Isolated
Free-Response:	300Hz—3KHz
MTBF:	Greater than 90000 Hours
Compliance:	UL60950-1 CSA C22.2 No.60950-1
Compatibility:	Mitel Cisco Genetec

PO Box 59
Windsor, NJ 08561

92 N Main St , Bldg. 18A
Windsor, NJ 08561

Contact: info@emcomsys.com
+1 (609) 585-5500
www.emcomsys.com

The dynamic nature of this product design dictates that the information contained in this document be subject to change without notice.

Emcom assumes no responsibility for errors and/or omissions contained herein.