

IP6030-1R Rugged, VoIP Handset Phone

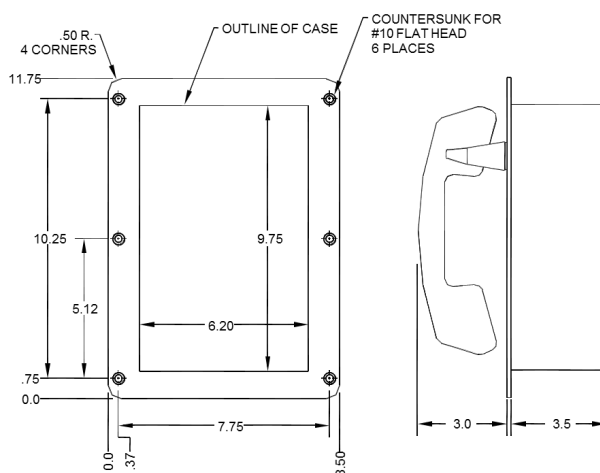
The IP6030-1R is a hardened, vandal-resistant, intelligent, handset telephone that provides VoIP (Voice over Internet Protocol) communications utilizing SIP (Session Initiation Protocol). It is designed to withstand the harsh environments of subways, train stations and tunnels and is ideal for waysides, bridges, airports and other public areas. The sealed ringer projects a clear ringing tone from the baffle on the front panel.

Advantages

- Sealed Metal Keypad
- Embedded, Sealed dB Ringer
- Hearing Aid Compatible
- Remote Programming and Volume Adjust Via Browser or EmVista Maintenance Station
- Auxiliary Contact Closures
- 2 Year Warranty



Dimensions



Specifications

Dimensions:	11.75" H x 8.5" W x 3.5" D
Panel:	12 Ga. (.102") Brushed SS
Weight:	8 lbs.
Connectors:	2 RJ-45, 2 Aux. Contacts 1 Power
Operating Temp:	-30° C to +55° C (-22°F to +131°F)
Power:	3.4 Watts 12 to 48 VDC, 48 VDC PoE
2 Aux. Contacts:	120mA - 250VAC Rating, Opto-isolated
Freq. Response:	300Hz - 3KHz
MTBF:	Greater than 90,000 Hours
Compliance:	UL60950-1 CSA C22.2 No.60950-1
Compatibility:	Mitel Cisco Genetec