

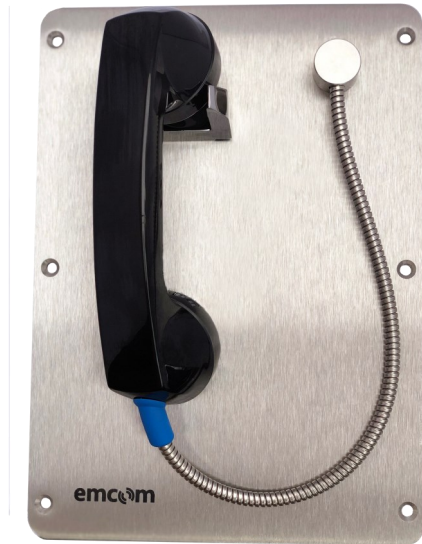


# IP6030-0 Rugged, VoIP Handset Phone

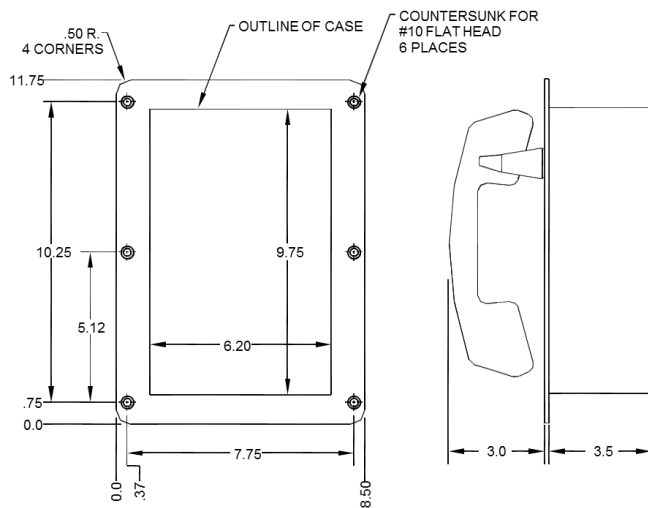
The IP6030-0 is a hardened, vandal-resistant, intelligent, handset telephone that provides VoIP (Voice over Internet Protocol) communications utilizing SIP (Session Initiation Protocol). It is designed to withstand the harsh environments of subways, train stations and tunnels and is ideal for waysides, bridges, airports and other public areas.

## Advantages

- Noise Canceling Microphone
- Hearing Aid Compatible
- Remote Programming and Volume Adjust Via Browser or EmVista Maintenance Station
- 2 Year Warranty



## Dimensions



## Specifications

|                 |                                       |
|-----------------|---------------------------------------|
| Dimensions:     | 11.75" H x 8.5" W x 3.5" D            |
| Panel:          | 12 Ga. (.102") Brushed SS             |
| Weight:         | 8 lbs.                                |
| Connectors:     | 2 RJ-45, 2 Aux. Contacts<br>1 Power   |
| Operating Temp: | -30° C to +55° C<br>(-22°F to +131°F) |
| Power:          | 3.4 Watts<br>12 to 48 VDC, 48 VDC PoE |
| Freq. Response: | 300Hz - 3KHz                          |
| MTBF:           | Greater than 90,000 Hours             |
| Compliance:     | UL60950-1<br>CSA C22.2 No.60950-1     |
| Compatibility:  | Mitel<br>Cisco<br>Genetec             |

PO Box 59  
Windsor, NJ 08561

92 N Main St , Bldg. 18A  
Windsor, NJ 08561

Contact: info@emcomsys.com  
+1 (609) 585-5500  
www.emcomsys.com

The dynamic nature of this product design dictates that the information contained in this document be subject to change without notice.

Emcom assumes no responsibility for errors and/or omissions contained herein.