

# IP8030-1R Rugged VoIP Handset Phone with Keypad & Ringer

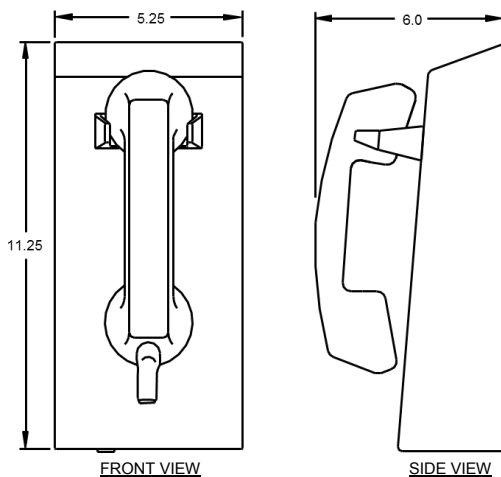
The IP8030-1R is a hardened, vandal-resistant, intelligent handset assistance phone that provides VoIP (Voice over Internet Protocol) communications utilizing SIP (Session Initiation Protocol). The rugged stainless steel housing features an oversized stainless steel ADA keypad with adjustable volume button. The stainless steel mounting panel allows for fast, easy installation. The IP8030-1R is programmed via a web browser or is remotely supervised, tested and programmed using an Emcom Systems' EmVista Maintenance Station.

## Advantages

- Large customizable instruction card area
- Stainless steel handset grommet
- Embedded Ringer
- Adjustable Volume Button
- Gasket provided with mounting plate
- Armored cord has minimum of 1000 lbs. pull test
- Background Noise Reduction Using DSP
- Remote Programming and Volume Adjust Via Web Browser or EmVista Maintenance
- Auxiliary Contact Closures
- 2 Year Warranty



## Dimensions



## Specifications

Dimensions:	5.25" W x 11.25" H x 6.0" D
Panel:	14 Ga. (.074") Brushed SS
Weight:	9 lbs.
Connectors:	1 RJ-45, 2 Aux. Contacts, 1 Power
Operating Temp:	-30° C to +55° C (-22°F to +131°F)
Power:	PoE or 24 – 48 VDC
Ringer:	80dB
Freq. Response:	300Hz - 3400Hz
MTBF:	Greater than 90,000 Hours
Compliance:	IP54
Compatibility:	Mitel Cisco Genetec

92 North Main Street, #18A  
Windsor, NJ 08561

Contact: [info@emcomsys.com](mailto:info@emcomsys.com)  
+1 (609) 585-5500  
[www.emcomsys.com](http://www.emcomsys.com)

The dynamic nature of this product design dictates that the information contained in this document be subject to change without notice.

Emcom assumes no responsibility for errors and/or omissions contained herein.